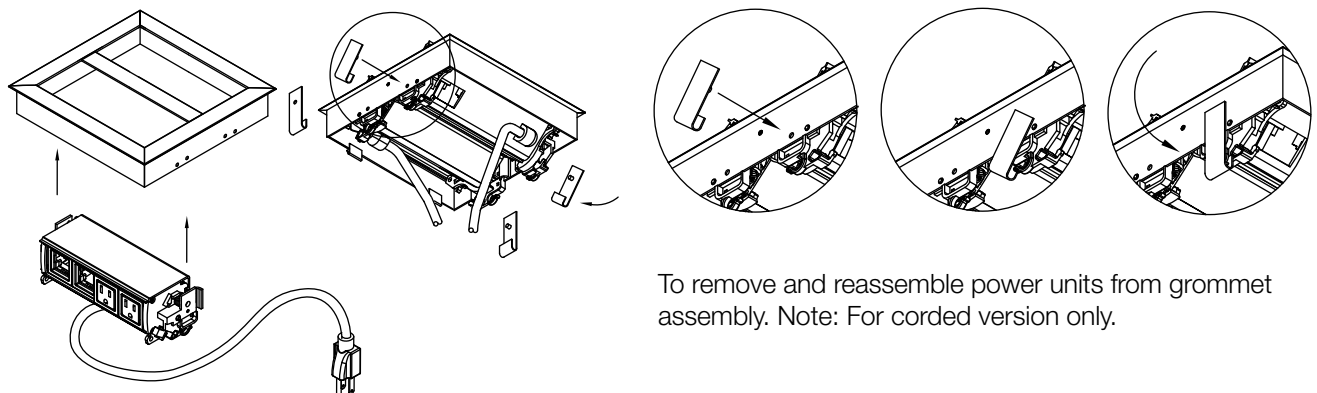
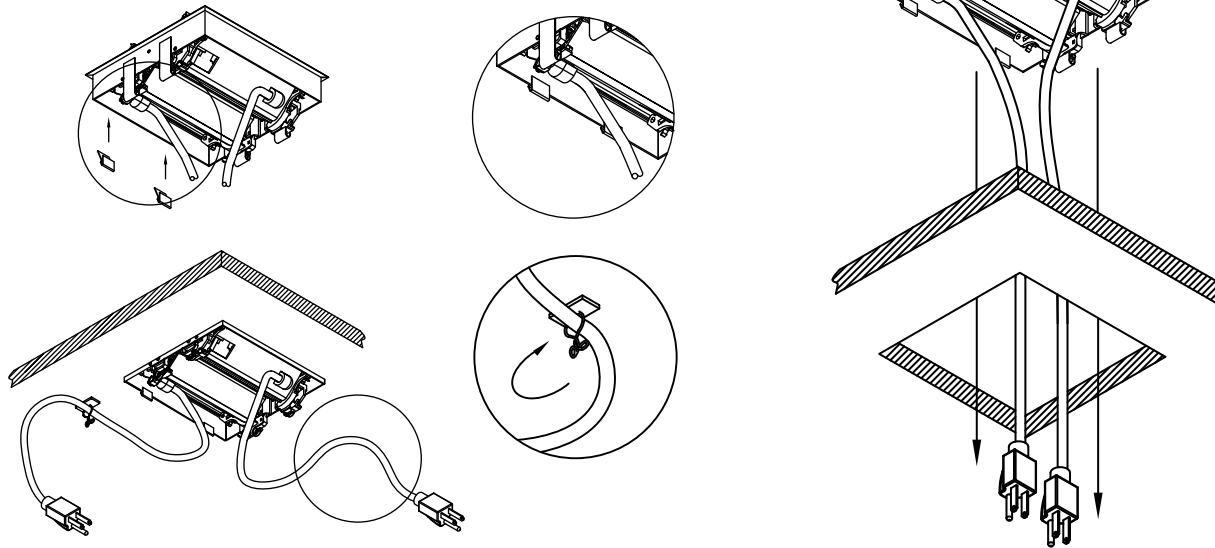
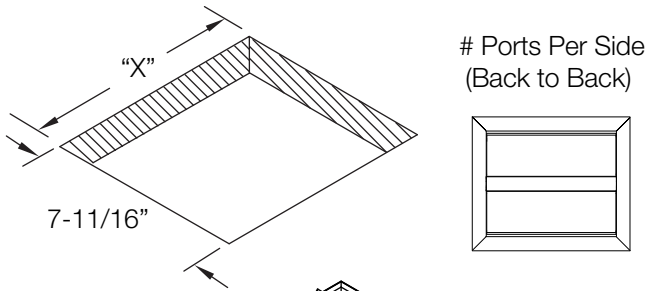




INSTALLATION INSTRUCTIONS FOR M2X

Install data jacks as described in the installation instructions provided with data adapters, BE01421

M2X	Windows Per Side (Back to Back)	"X" Dim.
BE01820-M2X	2 Windows	5"
BE01820-M2X	3 Windows	6-1/2"
BE01820-M2X	4 Windows	8"
BE01820-M2X	5 Windows	9-1/2"
BE01820-M2X	6 Windows	11"
BE01820-M2X	7 Windows	12-1/2"
BE01820-M2X	8 Windows	14"



To remove and reassemble power units from grommet assembly. Note: For corded version only.