



Salt®

OVERVIEW

Salt is a compact accessory, requiring a mere 1-3/4" cutout for installation. It can be used to charge devices or transfer data – and is available with USB, HDMI, or a variety of other Networking Cable options. Salt is also offered in a grommet version for discrete data pass through.



*Image shows Fog colored Smooth Salt with USB-A+C

CERTIFICATIONS

UL LISTED

Corded
Hardwired

ETL LISTED

Interlink IQ 2.0
Interlink

UL RECOGNIZED

Interlink IQ 2.0
Interlink

CODES

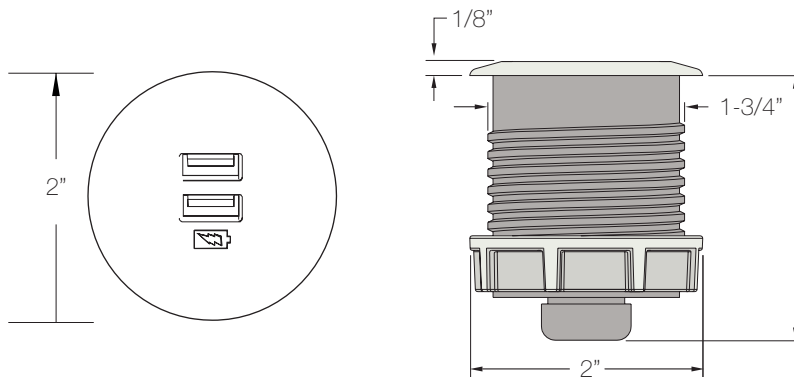
CHICAGO

The corded Pepper can be used on Listed freestanding furnishings in Chicago. Limitations apply. The hardwired Pepper must be used on all other furnishings in Chicago.

NEW YORK

The corded Pepper can be used in New York City, per the NYC Electrical Code.

SPECIFICATIONS



Surface Cut Out

Drill 1 - 3/4" Diameter Hole

Max - Min Surface Depth

5/16" to 1- 7/16"

CONFIGURATIONS AVAILABLE

Faceplate Options



Smooth Round



Round



Square

Technology



Dual USB-A



CAT 6 & CAT6A



MiniDisplay



USB-A+C



HDMI



Stereo Jack



60W USB-C



VGA



Passive USB-A



Passive USB-C

FINISHES

Molded Plastic



White



Poppy



Dune



Dark Bronze



Fog



Berry



Rosemary



Trivalent Chrome



Storm



Peacock



Moss



Nickel



Black



Dusk



Clay



Honey



Pinecone



Navy

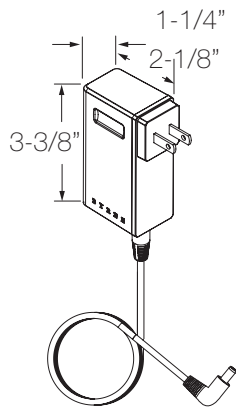
Metal

**Metal finishes not Available for Smooth Salt*

USB POWER SUPPLIES

USB-A

20W, Barrel connector, 72" cord



USB-C

60W, USB-C connector, 72" cord

