



Pepper®

Power

OVERVIEW

Pepper is a compact accessory, requiring a mere 1-3/4" cutout for installation. Pepper features a round or square design, spill-proof power simplex, and is available in multiple molded plastic and stylish metal-plated finishes.



POWER ENTRY OPTIONS

UL LISTED

- Corded
- Hardwired
- 4-Trac Interconnect
- 8-Trac Interconnect

CHICAGO

The Hardwired Pepper can only be used in the City of Chicago.

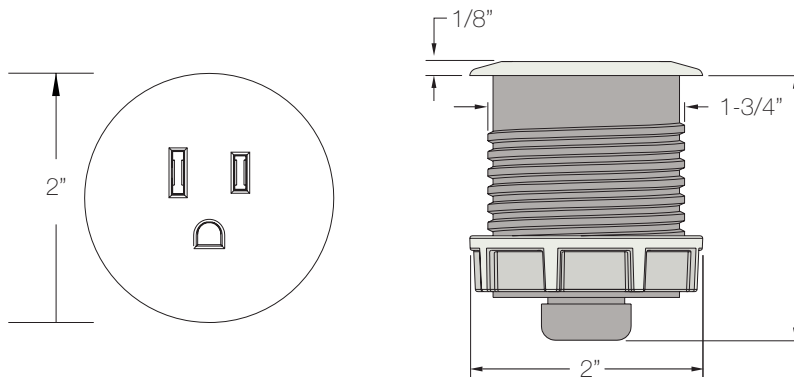
UL RECOGNIZED & ETL LISTED

- Interlink IQ 2.0
- Interlink
- Corded for Outdoor Use

NEW YORK

The Corded Pepper can be used in New York City, as per the NYC Electrical Code

SPECIFICATIONS



Surface Cut Out

Drill 1 - 3/4" Diameter Hole

Max - Min Surface Depth

5/16" to 1- 7/16"

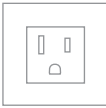
CONFIGURATIONS AVAILABLE



Smooth Round



Round



Square

FINISHES

Molded Plastic



White



Fog



Storm



Black



Poppy



Berry



Peacock



Dusk



Honey



Navy



Dune



Rosemary



Moss



Clay



Pinecone

Metal



Dark Bronze



Trivalent Chrome



Nickel

**Metal finishes not Available for Smooth Pepper*