

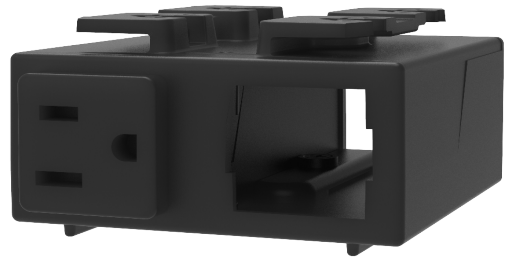


Plastic Mini-Tap

OVERVIEW

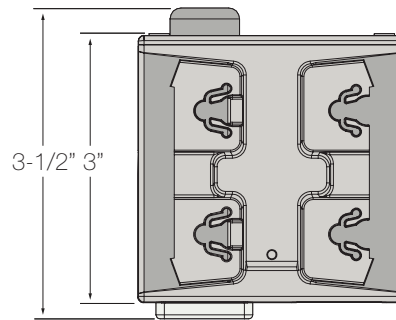
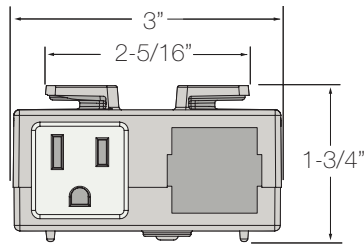
Designed with a small footprint for upholstered furniture and tight spaces. Along with three mounting types built in to one design.

* image shown: Plastic MiniTap with 1 power and 1 open data

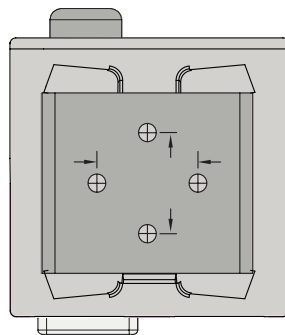


SPECIFICATIONS

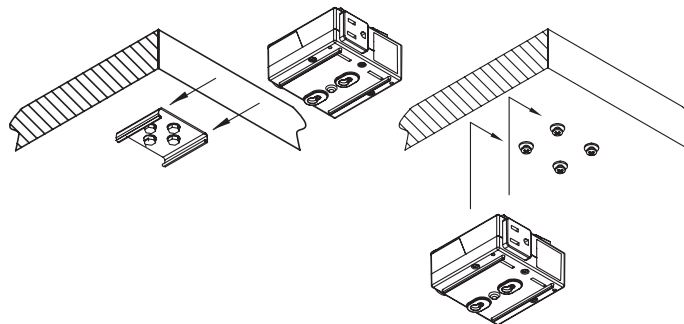
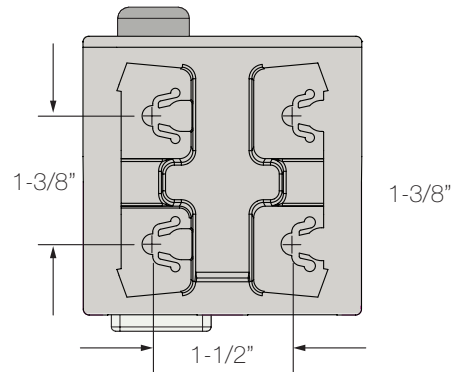
* Images depicts a 1 power and 1 USB with each mounting styles that is on the one MiniTap.



Slide Mount



Key Slot 1 Mount



POWER INFEED OPTIONS

UL LISTED

Corded
Hardwired

UL Recognized

Interlink
Interlink IQ 2.0

ETL Listed

Interlink
Interlink IQ 2.0

CODES

NEW YORK

The Corded Plastic MiniTap can be used in the City of New York, as per the official New York Code Decision.

CHICAGO

The Corded Plastic MiniTap can be used on Listed freestanding furnishings in Chicago. Limitations apply.

CONFIGURATIONS AVIALBLE

Plastic MiniTap offers 2 windows as shown below. The windows can be replaced by a variety of technology options.



INTEGRATED TECHNOLOGIES

*Powered technology options requires a power simplex with in the configuration



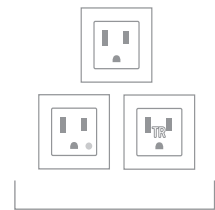
NON-POWERED

Cat6, Cat6A, RJ-45,
Stereo Jack, Passive
USB-C, and Passive USB



*POWERED

Quad C, Dual C+A,
USB-A+C, and Dual USB



POWER SIMPLEX

Tamper Resistant &
Hospital Grade
Available

FINISHES

PLASTIC HOUSING



PLASTIC SIMPLEX



FINISH AREAS

