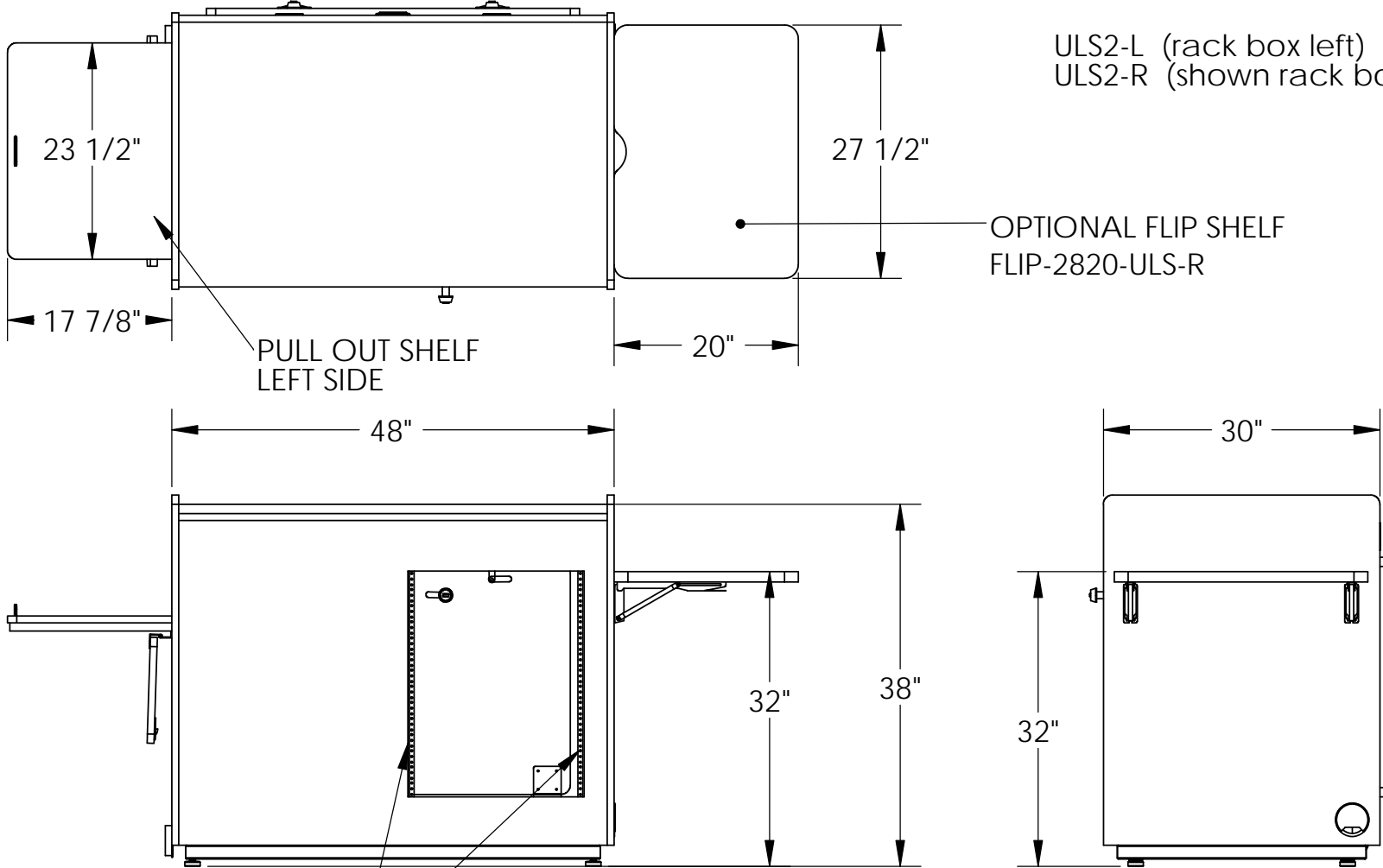


NOTE MUST SPECIFY RACK BOX LEFT OR RIGHT

ULS2-L (rack box left)
 ULS2-R (shown rack box right)



OPTIONAL FLIP SHELF
 FLIP-2820-ULS-R

PULL OUT SHELF
 LEFT SIDE

14U RACK
 RAILS

PULL OUT SHELF USABLE
 DIMENSIONS
 23 1/2"W X 18"D X 9"H



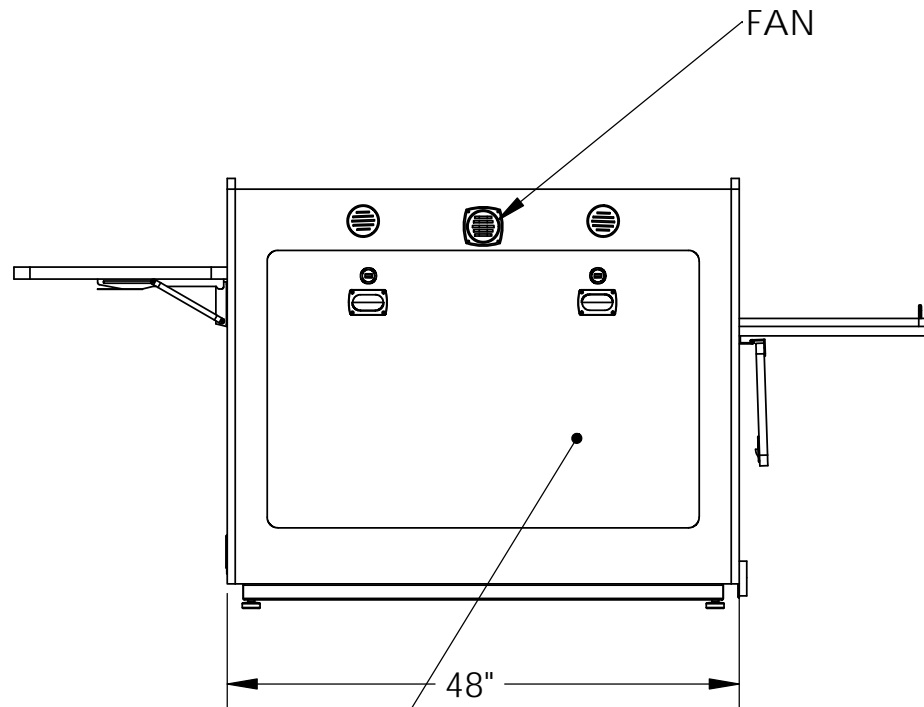
COMPUTER COMFORTS INC.
 367 COLUMBIA
 MEMORIAL PKWY.
 KEMAH, TX 77565
 281-535-2288

PROPRIETARY AND CONFIDENTIAL
 THE INFORMATION CONTAINED IN THIS
 DRAWING IS THE SOLE PROPERTY OF
 COMPUTER COMFORTS INC. ANY
 REPRODUCTION IN PART OR AS A WHOLE
 WITHOUT THE WRITTEN PERMISSION OF
 COMPUTER COMFORTS INC. IS
 PROHIBITED.

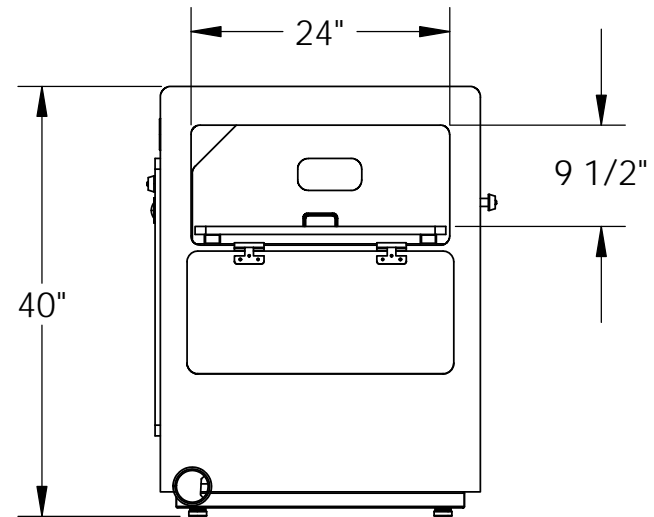
DRAWN BY **SAB**
 DATE **4/22/17**
 DO NOT SCALE DRAWING

DIMENSIONS ARE IN INCHES
 TOLERANCES:
 FRACTIONAL ±1/32
 ANGULAR: BEND ±1°
 ONE PLACE DECIMAL ±.02
 TWO PLACE DECIMAL ±.01
 THREE PLACE DECIMAL ±.005

PART DESCRIPTION
ULS2-R
 PART#



REMOVABLE
DOOR WITH
COMBINATION
LOCKS



COMPUTER COMFORTS INC.

367 COLUMBIA
MEMORIAL PKWY.
KEMAH, TX 77565
281-535-2288

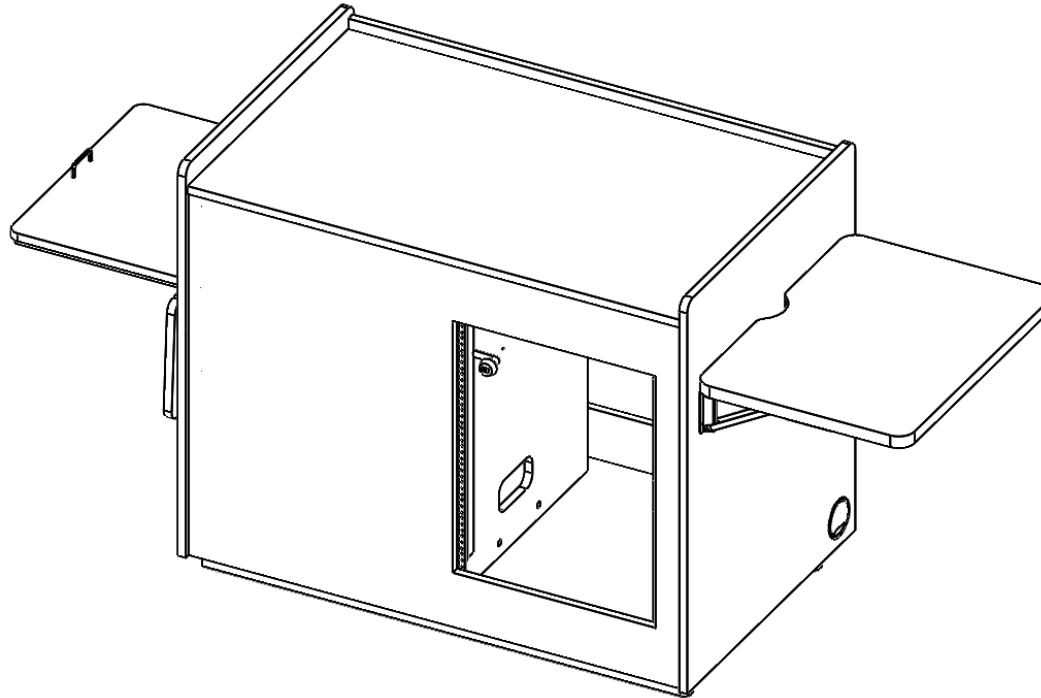
PROPRIETARY AND CONFIDENTIAL

THE INFORMATION CONTAINED IN THIS DRAWING IS THE SOLE PROPERTY OF COMPUTER COMFORTS INC. ANY REPRODUCTION IN PART OR AS A WHOLE WITHOUT THE WRITTEN PERMISSION OF COMPUTER COMFORTS INC. IS PROHIBITED.

DRAWN BY	SAB
DATE	4/22/17
DO NOT SCALE DRAWING	

DIMENSIONS ARE IN INCHES
TOLERANCES:
FRACTIONAL $\pm 1/32$
ANGULAR: BEND $\pm 1^\circ$
ONE PLACE DECIMAL $\pm .02$
TWO PLACE DECIMAL $\pm .01$
THREE PLACE DECIMAL $\pm .005$

PART DESCRIPTION
ULS2-R
PART#



PROPRIETARY AND CONFIDENTIAL

THE INFORMATION CONTAINED IN THIS DRAWING IS THE SOLE PROPERTY OF COMPUTER COMFORTS INC. ANY REPRODUCTION IN PART OR AS A WHOLE WITHOUT THE WRITTEN PERMISSION OF COMPUTER COMFORTS INC. IS PROHIBITED.



COMPUTER COMFORTS INC.

367 COLUMBIA
MEMORIAL PKWY.
KEMAH, TX 77565
281-535-2288

DRAWN BY	SAB
DATE	4/22/17
DO NOT SCALE DRAWING	

DIMENSIONS ARE IN INCHES
TOLERANCES:
FRACTIONAL $\pm 1/32$
ANGULAR: BEND $\pm 1^\circ$
ONE PLACE DECIMAL $\pm .02$
TWO PLACE DECIMAL $\pm .01$
THREE PLACE DECIMAL $\pm .005$

PART DESCRIPTION

ULS2-R

PART#