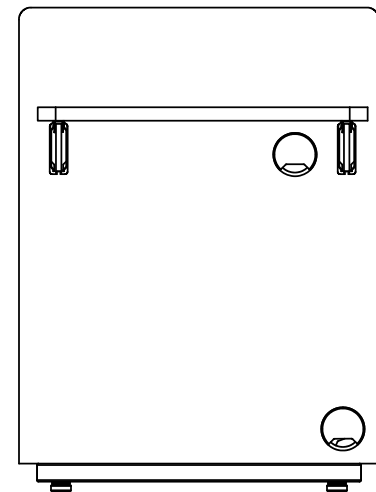
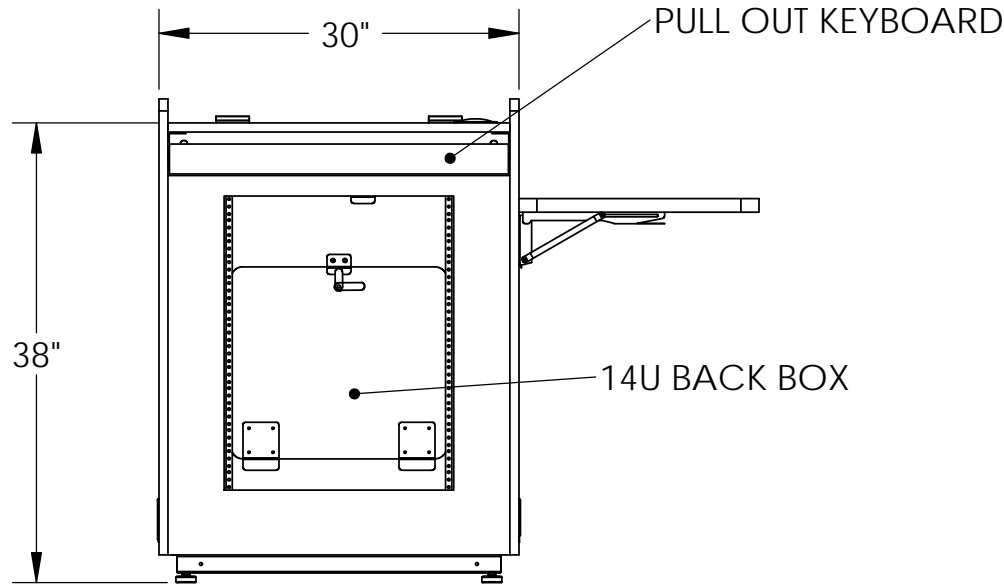
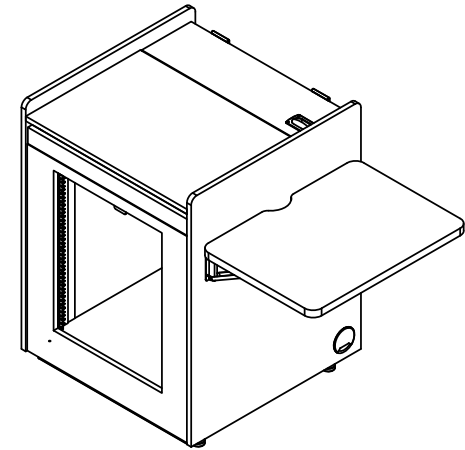




OPTIONAL FLIP SHELF
FLIP-2820-ULS-R



NOTE MAXIMUM MONITOR SIZE
WIDTH 21 1/4"W
HEIGHT 13 1/2"H
WHEN MONITOR IS PULLED ALL
THE WAY FORWARDS YOU HAVE
14" OF USABLE WORK SURFACE

PROPRIETARY AND CONFIDENTIAL

THE INFORMATION CONTAINED IN THIS DRAWING IS THE SOLE PROPERTY OF COMPUTER COMFORTS INC. ANY REPRODUCTION IN PART OR AS A WHOLE WITHOUT THE WRITTEN PERMISSION OF COMPUTER COMFORTS INC. IS PROHIBITED.



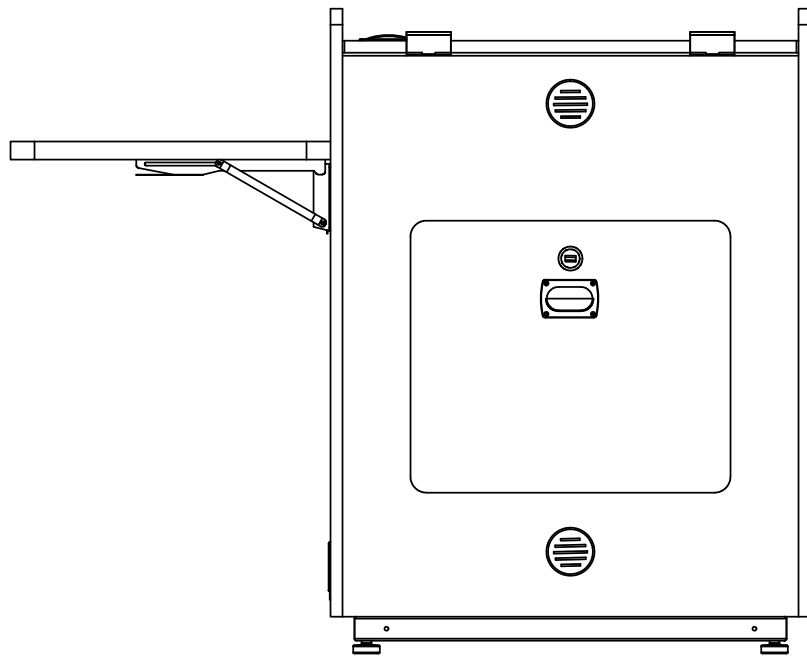
COMPUTER COMFORTS INC.

367 COLUMBIA
MEMORIAL PKWY.
KEMAH, TX 77565
281-535-2288

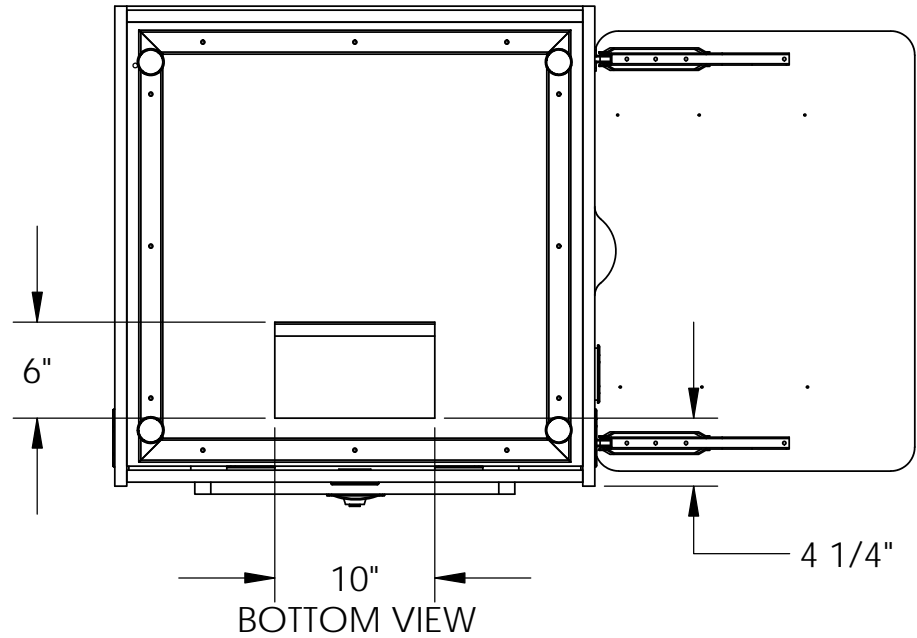
| | |
|----------------------|---------|
| DRAWN BY | SAB |
| DATE | 4/22/17 |
| DO NOT SCALE DRAWING | |

DIMENSIONS ARE IN INCHES
TOLERANCES:
FRACTIONAL $\pm 1/32$
ANGULAR: BEND $\pm 1^\circ$
ONE PLACE DECIMAL $\pm .02$
TWO PLACE DECIMAL $\pm .01$
THREE PLACE DECIMAL $\pm .005$

| | |
|------------------|---------|
| PART DESCRIPTION | ULS1-HA |
| PART# | |



BACK VIEW



BOTTOM VIEW

PROPRIETARY AND CONFIDENTIAL

THE INFORMATION CONTAINED IN THIS DRAWING IS THE SOLE PROPERTY OF COMPUTER COMFORTS INC. ANY REPRODUCTION IN PART OR AS A WHOLE WITHOUT THE WRITTEN PERMISSION OF COMPUTER COMFORTS INC. IS PROHIBITED.



COMPUTER COMFORTS INC.

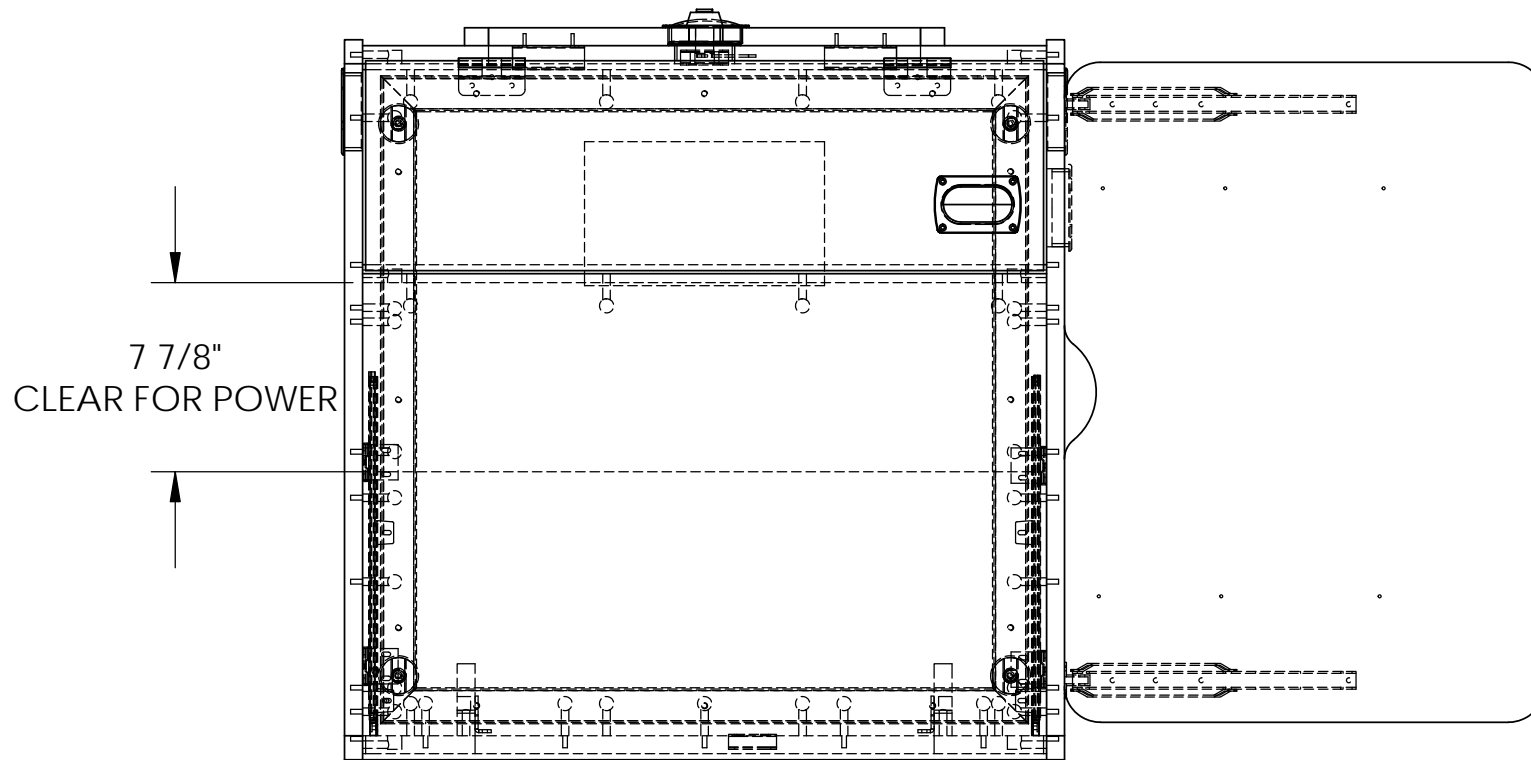
367 COLUMBIA
MEMORIAL PKWY.
KEMAH, TX 77565
281-535-2288

| | |
|----------------------|---------|
| DRAWN BY | SAB |
| DATE | 4/22/17 |
| DO NOT SCALE DRAWING | |

DIMENSIONS ARE IN INCHES
TOLERANCES:
FRACTIONAL $\pm 1/32$
ANGULAR: BEND $\pm 1^\circ$
ONE PLACE DECIMAL $\pm .02$
TWO PLACE DECIMAL $\pm .01$
THREE PLACE DECIMAL $\pm .005$

PART DESCRIPTION
ULS1-HA

PART#



PROPRIETARY AND CONFIDENTIAL

THE INFORMATION CONTAINED IN THIS DRAWING IS THE SOLE PROPERTY OF COMPUTER COMFORTS INC. ANY REPRODUCTION IN PART OR AS A WHOLE WITHOUT THE WRITTEN PERMISSION OF COMPUTER COMFORTS INC. IS PROHIBITED.



COMPUTER COMFORTS INC.

367 COLUMBIA
MEMORIAL PKWY.
KEMAH, TX 77565
281-535-2288

| | |
|----------------------|---------|
| DRAWN BY | SAB |
| DATE | 4/22/17 |
| DO NOT SCALE DRAWING | |

DIMENSIONS ARE IN INCHES
TOLERANCES:
FRACTIONAL $\pm 1/32$
ANGULAR: BEND $\pm 1^\circ$
ONE PLACE DECIMAL $\pm .02$
TWO PLACE DECIMAL $\pm .01$
THREE PLACE DECIMAL $\pm .005$

PART DESCRIPTION
ULS1-HA

PART#