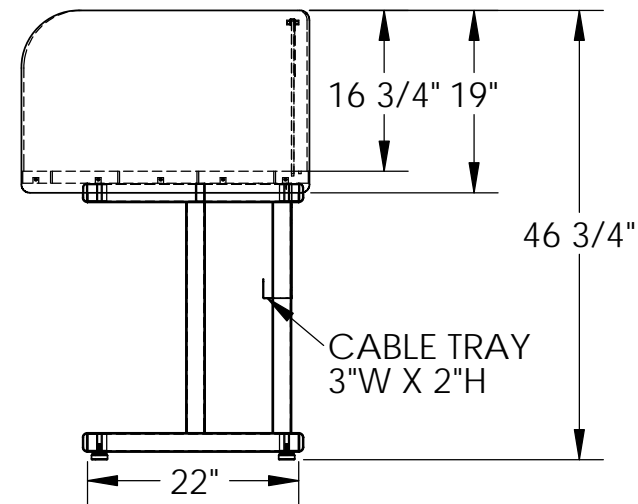
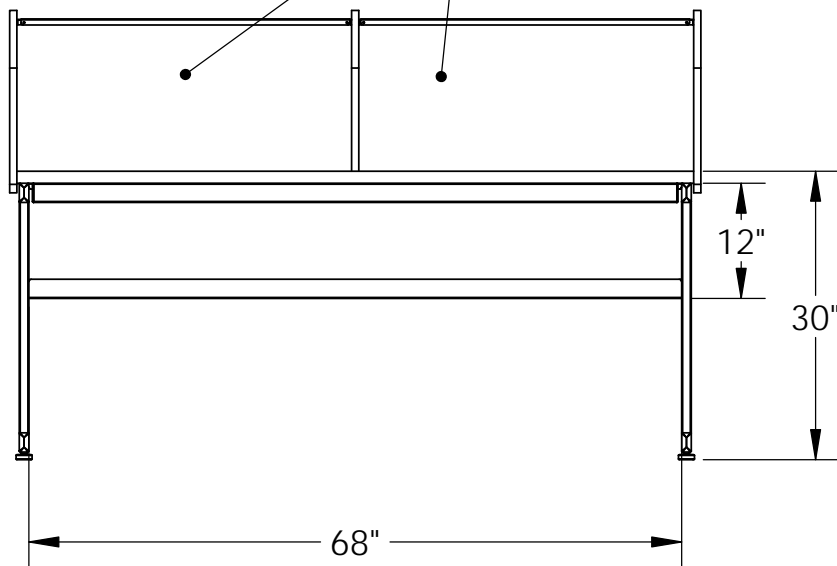


PLEXIGLAS BACK PANEL
WITH 6" "ICU" REMOVABLE PANEL



PROPRIETARY AND CONFIDENTIAL

THE INFORMATION CONTAINED IN THIS DRAWING IS THE SOLE PROPERTY OF COMPUTER COMFORTS INC. ANY REPRODUCTION IN PART OR AS A WHOLE WITHOUT THE WRITTEN PERMISSION OF COMPUTER COMFORTS INC. IS PROHIBITED.



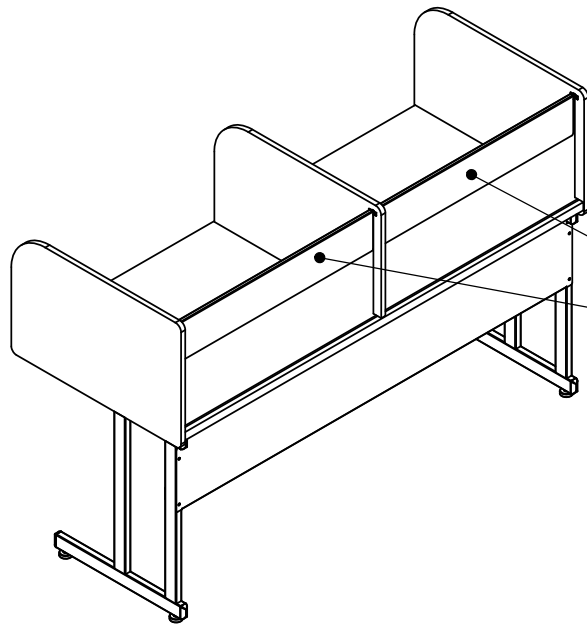
COMPUTER COMFORTS INC.

367 COLUMBIA
MEMORIAL PKWY.
KEMAH, TX 77565
281-535-2288

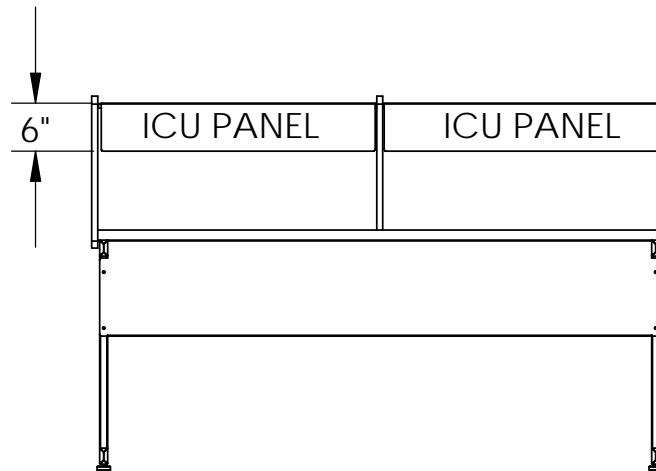
DRAWN BY	SAB
DATE	12/11/18
DO NOT SCALE DRAWING	

DIMENSIONS ARE IN INCHES

PART DESCRIPTION	TC-723030-ICU
PART#	



PLEXIGLAS BACK PANEL
WITH 6" "ICU" REMOVABLE PANEL



COMPUTER COMFORTS INC.
367 COLUMBIA
MEMORIAL PKWY.
KEMAH, TX 77565
281-535-2288

PROPRIETARY AND CONFIDENTIAL

THE INFORMATION CONTAINED IN THIS DRAWING IS THE SOLE PROPERTY OF COMPUTER COMFORTS INC. ANY REPRODUCTION IN PART OR AS A WHOLE WITHOUT THE WRITTEN PERMISSION OF COMPUTER COMFORTS INC. IS PROHIBITED.

DRAWN BY **SAB**
DATE **12/11/18**
DO NOT SCALE DRAWING

DIMENSIONS ARE IN INCHES

PART DESCRIPTION
TC-723030-ICU
PART#