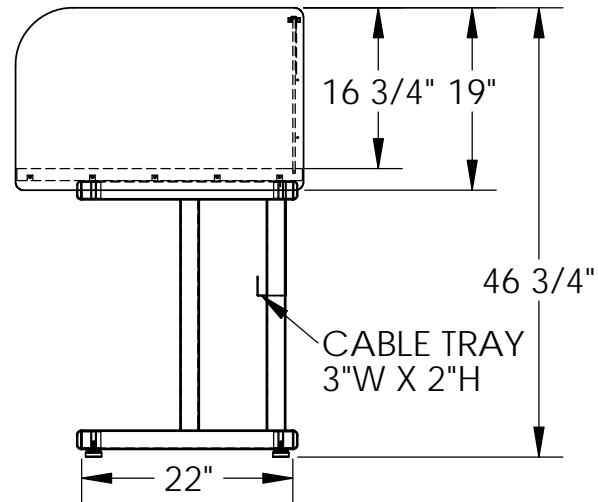
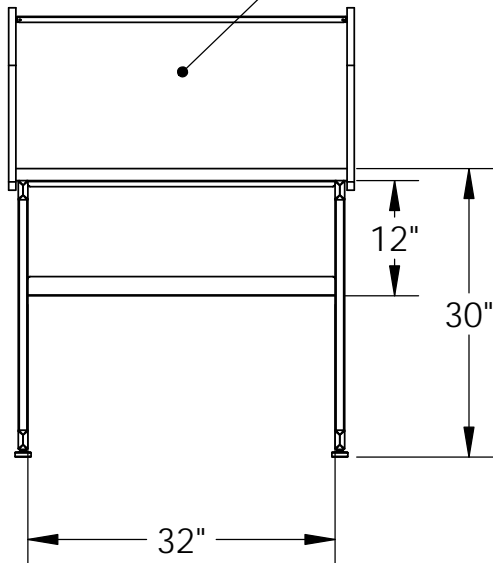


PLEXIGLAS BACK PANEL
WITH 6" "ICU" REMOVABLE PANEL



COMPUTER COMFORTS INC.
367 COLUMBIA
MEMORIAL PKWY.
KEMAH, TX 77565
281-535-2288

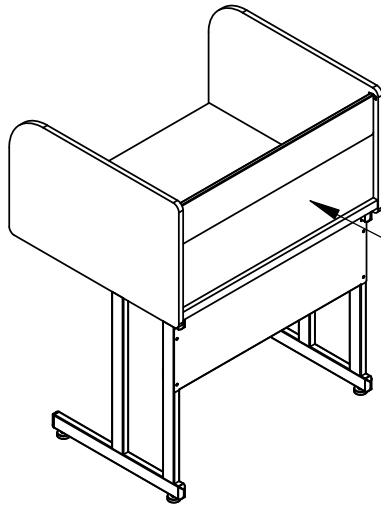
PROPRIETARY AND CONFIDENTIAL

THE INFORMATION CONTAINED IN THIS DRAWING IS THE SOLE PROPERTY OF COMPUTER COMFORTS INC. ANY REPRODUCTION IN PART OR AS A WHOLE WITHOUT THE WRITTEN PERMISSION OF COMPUTER COMFORTS INC. IS PROHIBITED.

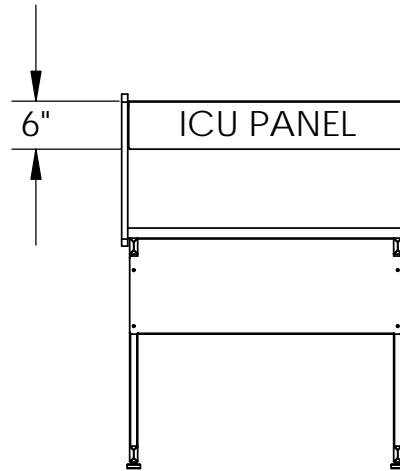
DRAWN BY **SAB**
DATE **12/11/18**
DO NOT SCALE DRAWING

DIMENSIONS ARE IN INCHES

PART DESCRIPTION
TC-363030-ICU
PART#



PLEXIGLAS BACK PANEL
WITH 6" "ICU" REMOVABLE PANEL



COMPUTER COMFORTS INC.
367 COLUMBIA
MEMORIAL PKWY.
KEMAH, TX 77565
281-535-2288

PROPRIETARY AND CONFIDENTIAL

THE INFORMATION CONTAINED IN THIS DRAWING IS THE SOLE PROPERTY OF COMPUTER COMFORTS INC. ANY REPRODUCTION IN PART OR AS A WHOLE WITHOUT THE WRITTEN PERMISSION OF COMPUTER COMFORTS INC. IS PROHIBITED.

DRAWN BY **SAB**
DATE **12/11/18**
DO NOT SCALE DRAWING

DIMENSIONS ARE IN INCHES

PART DESCRIPTION
TC-363030-ICU
PART#