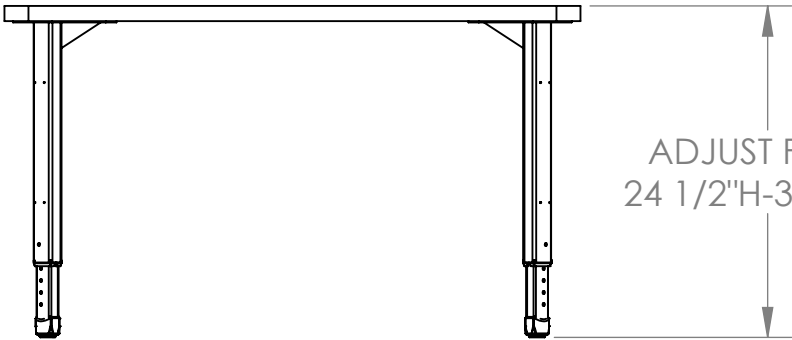
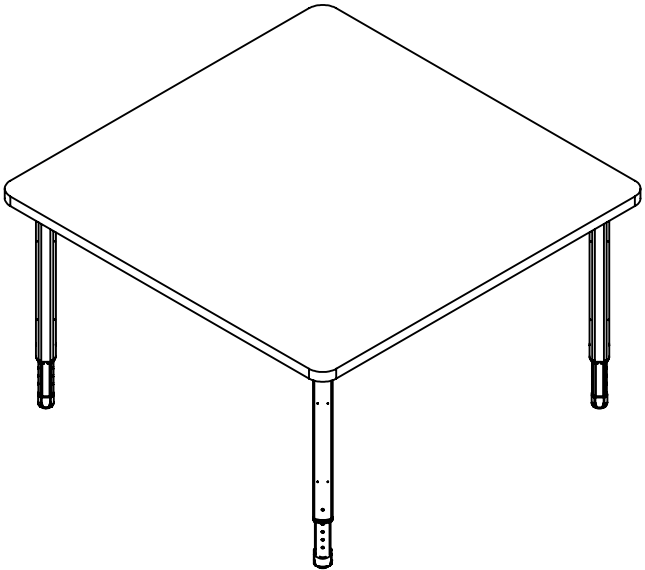


SQUARE TABLE
SPECIFY 36" OR 48"



ADJUST FROM
24 1/2"H-35 1/2"H



COMPUTER COMFORTS INC.
367 COLUMBIA
MEMORIAL PKWY.
KEMAH, TX 77565
281-535-2288

PROPRIETARY AND CONFIDENTIAL
THE INFORMATION CONTAINED IN THIS
DRAWING IS THE SOLE PROPERTY OF
COMPUTER COMFORTS INC. ANY
REPRODUCTION IN PART OR AS A WHOLE
WITHOUT THE WRITTEN PERMISSION OF
COMPUTER COMFORTS INC. IS
PROHIBITED.

G:\NCSW\CCI\ADAPTABLE TABLES 2010\

DRAWN BY **SAB**
DATE **10-30-10**
DO NOT SCALE DRAWING

DIMENSIONS ARE IN INCHES
TOLERANCES:
FRACTIONAL $\pm 1/32$
ANGULAR: BEND $\pm 1^\circ$
ONE PLACE DECIMAL $\pm .02$
TWO PLACE DECIMAL $\pm .01$
THREE PLACE DECIMAL $\pm .005$

PART DESCRIPTION
SQUARE 36" OR 48"
SIZE **A** DWG. NO. REV.
SCALE:1:16 WEIGHT: SHEET 1 OF 1