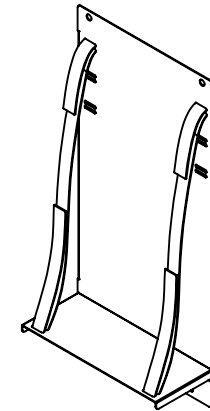
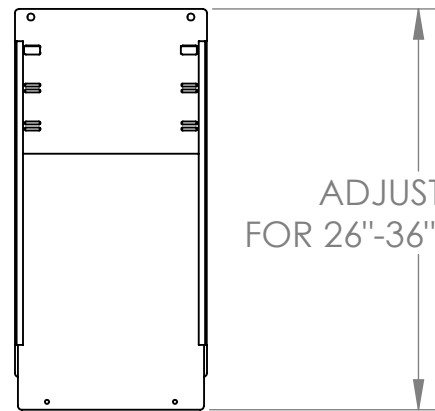
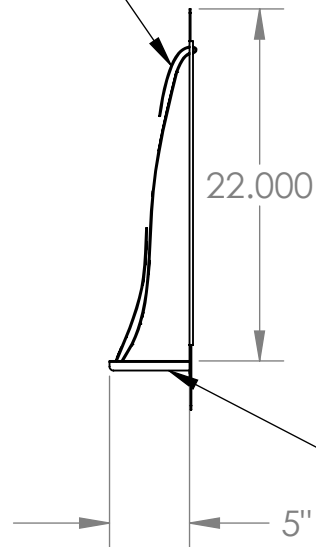
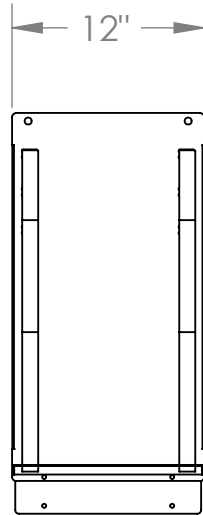


VELCRO STRAPS



ADJUSTABLE
FOR 26"-36" H TABLES

NOTE PLATFORM SIZE
 RACK-2 5"
 RACK-2-SB 3.5"
 RACK2-ULTRRA 2.5"

PROPRIETARY AND CONFIDENTIAL

THE INFORMATION CONTAINED IN THIS DRAWING IS THE SOLE PROPERTY OF COMPUTER COMFORTS INC. ANY REPRODUCTION IN PART OR AS A WHOLE WITHOUT THE WRITTEN PERMISSION OF COMPUTER COMFORTS INC. IS PROHIBITED.



COMPUTER COMFORTS INC.

367 COLUMBIA
 MEMORIAL PKWY.
 KEMAH, TX 77565
 281-535-2288

DRAWN BY **SAB**
 DATE **7-23-15**
 DO NOT SCALE DRAWING

DIMENSIONS ARE IN INCHES
 TOLERANCES:
 FRACTIONAL $\pm 1/32$
 ANGULAR: BEND $\pm 1^\circ$
 ONE PLACE DECIMAL $\pm .02$
 TWO PLACE DECIMAL $\pm .01$
 THREE PLACE DECIMAL $\pm .005$

PART DESCRIPTION
RACK-2
 PART#