

**PROPRIETARY AND CONFIDENTIAL**

THE INFORMATION CONTAINED IN THIS DRAWING IS THE SOLE PROPERTY OF COMPUTER COMFORTS INC. ANY REPRODUCTION IN PART OR AS A WHOLE WITHOUT THE WRITTEN PERMISSION OF COMPUTER COMFORTS INC. IS PROHIBITED.



**COMPUTER COMFORTS INC.**

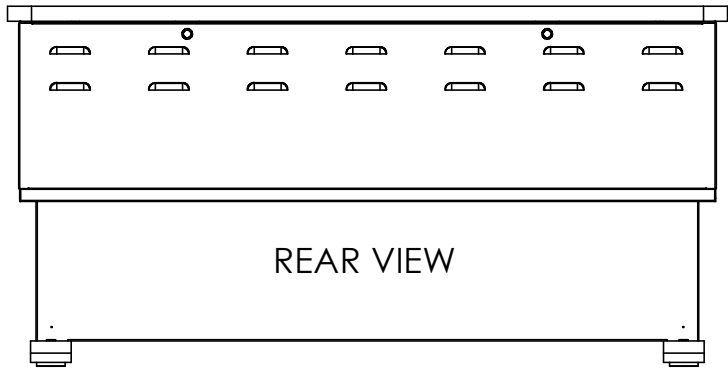
367 COLUMBIA  
MEMORIAL PKWY.  
KEMAH, TX 77565  
281-535-2288

DRAWN BY **SAB**  
DATE **4/17/24**  
DO NOT SCALE DRAWING

DIMENSIONS ARE IN INCHES

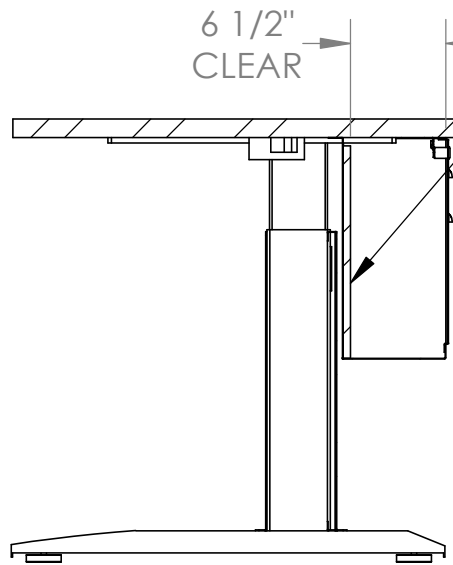
PART DESCRIPTION  
**PL3-6030-EB-7**

PART#



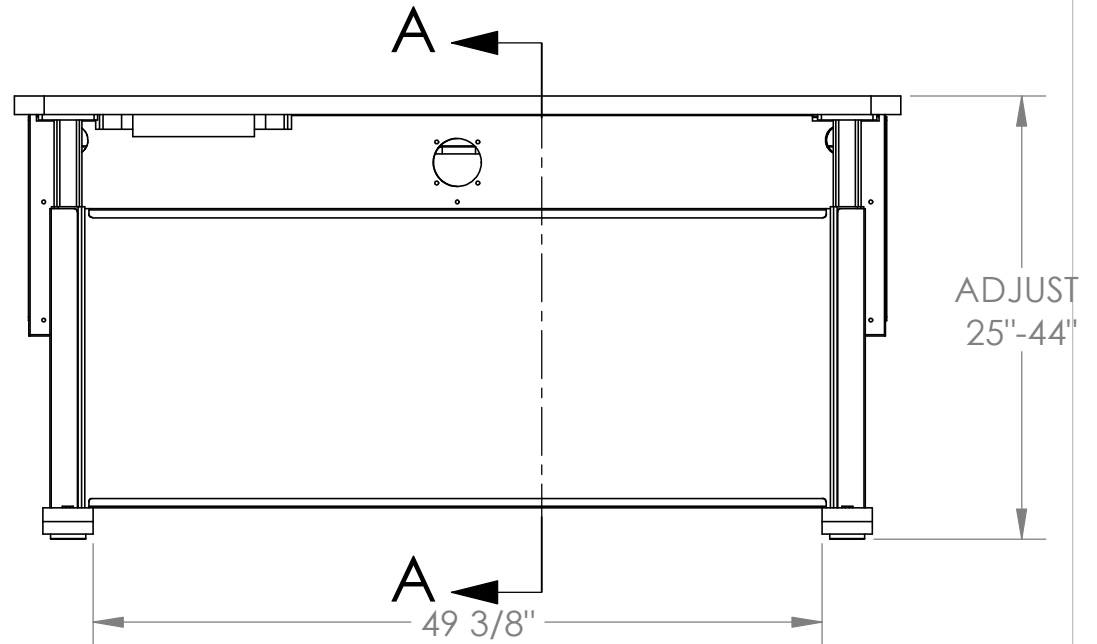
REAR VIEW

1/2" BOARD IN BACK  
TO ATTACH CUSTOMERS OWN ELECTRONICS  
CAN BE REMOVED IF NOT NEEDED IN THE FIELD.



6 1/2"  
CLEAR

A-A (1 : 13)



ADJUST  
25"-44"

49 3/8"



**COMPUTER COMFORTS INC.**

367 COLUMBIA  
MEMORIAL PKWY.  
KEMAH, TX 77565  
281-535-2288

**PROPRIETARY AND CONFIDENTIAL**

THE INFORMATION CONTAINED IN THIS DRAWING IS THE SOLE PROPERTY OF COMPUTER COMFORTS INC. ANY REPRODUCTION IN PART OR AS A WHOLE WITHOUT THE WRITTEN PERMISSION OF COMPUTER COMFORTS INC. IS PROHIBITED.

DRAWN BY	SAB
DATE	4/17/24
DO NOT SCALE DRAWING	

DIMENSIONS ARE IN INCHES

PART DESCRIPTION  
PL3-6030-EB-7

PART#