

PROPRIETARY AND CONFIDENTIAL

THE INFORMATION CONTAINED IN THIS DRAWING IS THE SOLE PROPERTY OF COMPUTER COMFORTS INC. ANY REPRODUCTION IN PART OR AS A WHOLE WITHOUT THE WRITTEN PERMISSION OF COMPUTER COMFORTS INC. IS PROHIBITED.



COMPUTER COMFORTS INC.

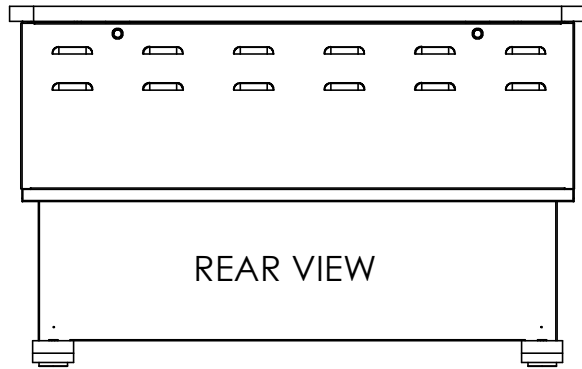
367 COLUMBIA
MEMORIAL PKWY.
KEMAH, TX 77565
281-535-2288

DRAWN BY **SAB**
DATE **4/17/24**
DO NOT SCALE DRAWING

DIMENSIONS ARE IN INCHES

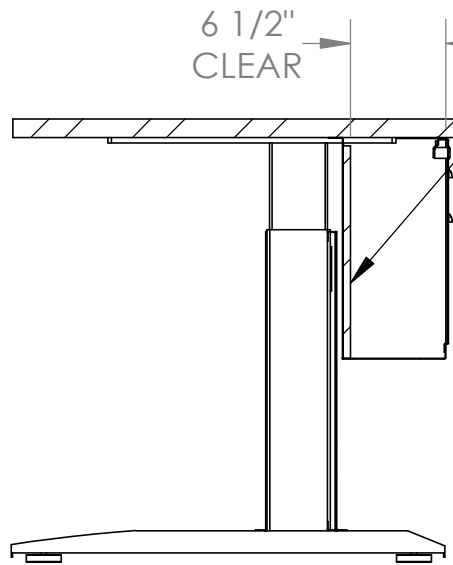
PART DESCRIPTION
PL3-4830-EB-7

PART#



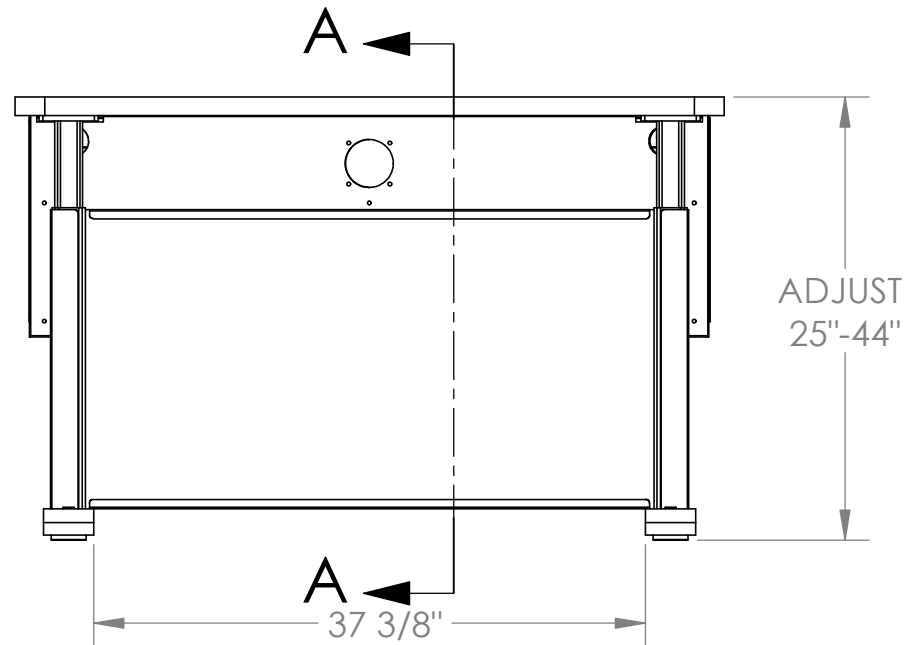
REAR VIEW

1/2" BOARD IN BACK
TO ATTACH CUSTOMERS OWN ELECTRONICS
CAN BE REMOVED IF NOT NEEDED IN THE FIELD.



6 1/2"
CLEAR

A-A (1 : 13)



37 3/8"

ADJUST
25"-44"



COMPUTER COMFORTS INC.

367 COLUMBIA
MEMORIAL PKWY.
KEMAH, TX 77565
281-535-2288

PROPRIETARY AND CONFIDENTIAL

THE INFORMATION CONTAINED IN THIS DRAWING IS THE SOLE PROPERTY OF COMPUTER COMFORTS INC. ANY REPRODUCTION IN PART OR AS A WHOLE WITHOUT THE WRITTEN PERMISSION OF COMPUTER COMFORTS INC. IS PROHIBITED.

DRAWN BY **SAB**
DATE **4/17/24**
DO NOT SCALE DRAWING

DIMENSIONS ARE IN INCHES

PART DESCRIPTION
PL3-4830-EB-7

PART#