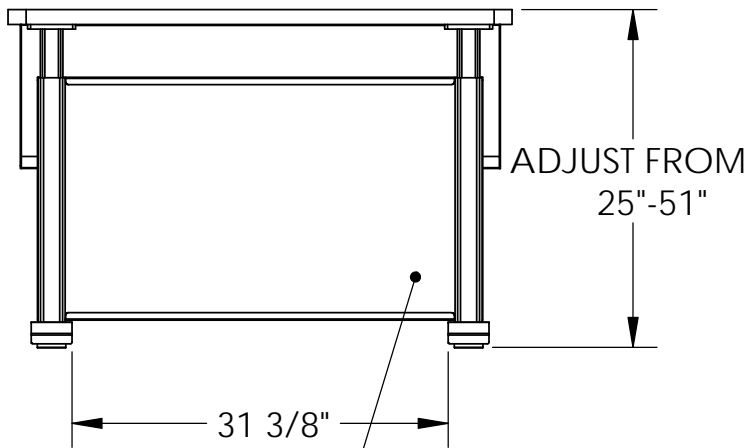
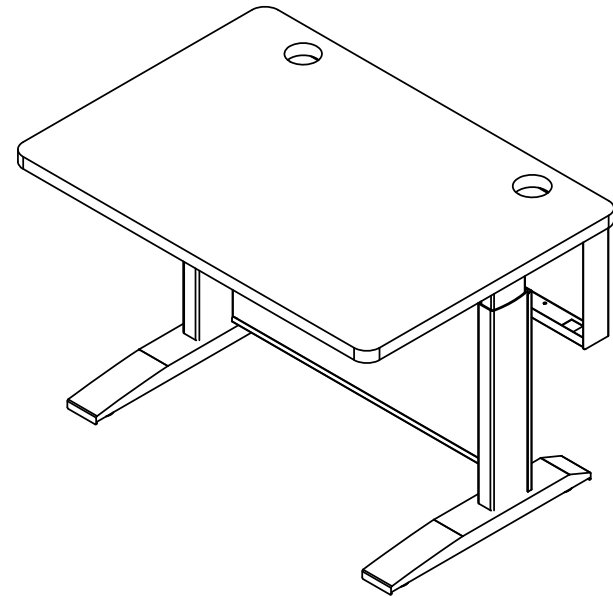
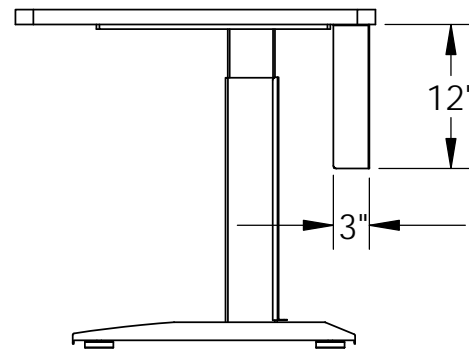


SHOWN WITH OPTIONAL GROMMETS



NOTE: FULL LOWER MODESTY PANEL AND LEGS ARE ALWAYS BLACK



**COMPUTER COMFORTS INC.**  
 367 COLUMBIA  
 MEMORIAL PKWY.  
 KEMAH, TX 77565  
 281-535-2288

**PROPRIETARY AND CONFIDENTIAL**

THE INFORMATION CONTAINED IN THIS DRAWING IS THE SOLE PROPERTY OF COMPUTER COMFORTS INC. ANY REPRODUCTION IN PART OR AS A WHOLE WITHOUT THE WRITTEN PERMISSION OF COMPUTER COMFORTS INC. IS PROHIBITED.

DRAWN BY **SAB**  
 DATE **2/9/17**  
 DO NOT SCALE DRAWING

DIMENSIONS ARE IN INCHES  
 TOLERANCES:  
 FRACTIONAL  $\pm 1/32$   
 ANGULAR: BEND  $\pm 1^\circ$   
 ONE PLACE DECIMAL  $\pm .02$   
 TWO PLACE DECIMAL  $\pm .01$   
 THREE PLACE DECIMAL  $\pm .005$

PART DESCRIPTION  
**PL3-4230**  
 PART#