

**PROPRIETARY AND CONFIDENTIAL**

THE INFORMATION CONTAINED IN THIS DRAWING IS THE SOLE PROPERTY OF COMPUTER COMFORTS INC. ANY REPRODUCTION IN PART OR AS A WHOLE WITHOUT THE WRITTEN PERMISSION OF COMPUTER COMFORTS INC. IS PROHIBITED.



**COMPUTER COMFORTS INC.**

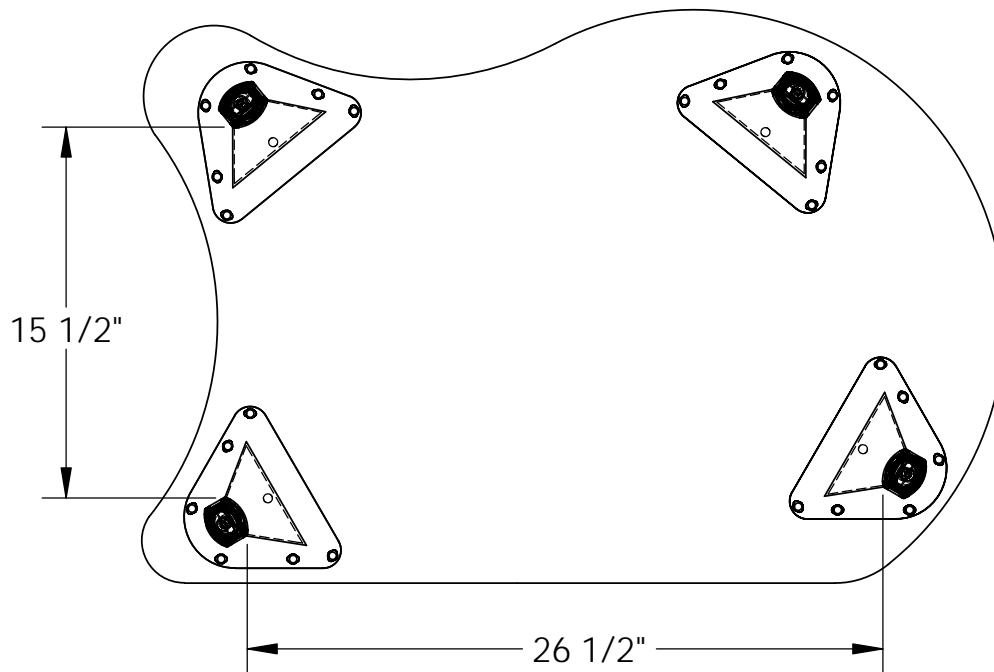
367 COLUMBIA  
MEMORIAL PKWY.  
KEMAH, TX 77565  
281-535-2288

DRAWN BY	SAB
DATE	5/1/17
DO NOT SCALE DRAWING	

DIMENSIONS ARE IN INCHES  
TOLERANCES:  
FRACTIONAL  $\pm 1/32$   
ANGULAR: BEND  $\pm 1^\circ$   
ONE PLACE DECIMAL  $\pm .02$   
TWO PLACE DECIMAL  $\pm .01$   
THREE PLACE DECIMAL  $\pm .005$

PART DESCRIPTION  
KOI-3624-ADJ

PART#



**COMPUTER COMFORTS INC.**  
 367 COLUMBIA  
 MEMORIAL PKWY.  
 KEMAH, TX 77565  
 281-535-2288

**PROPRIETARY AND CONFIDENTIAL**

THE INFORMATION CONTAINED IN THIS DRAWING IS THE SOLE PROPERTY OF COMPUTER COMFORTS INC. ANY REPRODUCTION IN PART OR AS A WHOLE WITHOUT THE WRITTEN PERMISSION OF COMPUTER COMFORTS INC. IS PROHIBITED.

DRAWN BY	SAB
DATE	5/1/17
DO NOT SCALE DRAWING	

DIMENSIONS ARE IN INCHES  
 TOLERANCES:  
 FRACTIONAL  $\pm 1/32$   
 ANGULAR: BEND  $\pm 1^\circ$   
 ONE PLACE DECIMAL  $\pm .02$   
 TWO PLACE DECIMAL  $\pm .01$   
 THREE PLACE DECIMAL  $\pm .005$

PART DESCRIPTION	KOI-3624-ADJ
PART#	