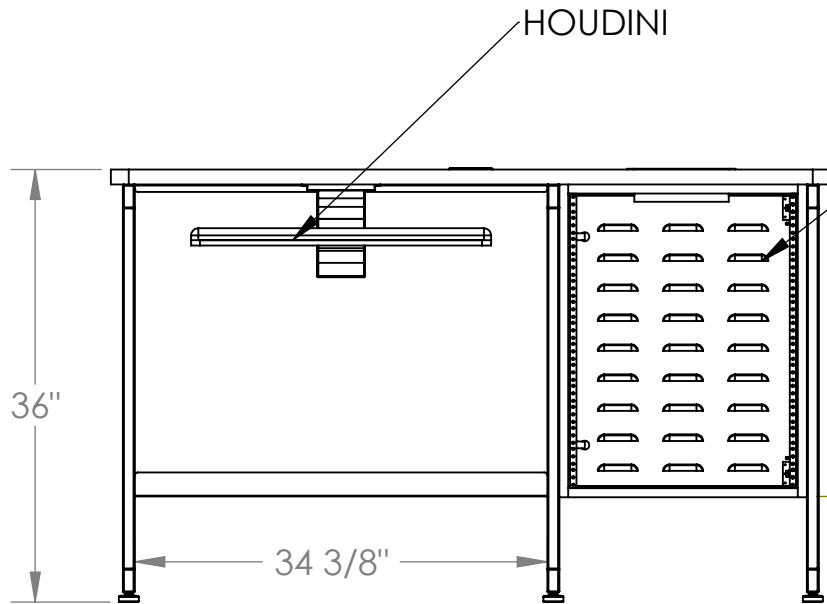


INTERACT PLUS

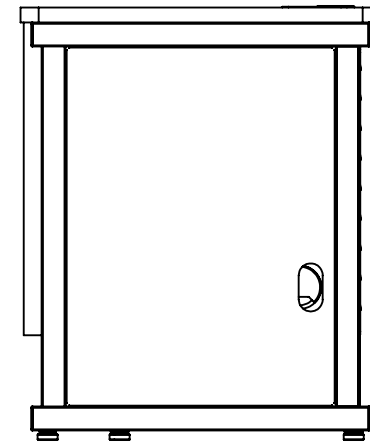
NOTE SPECIFY RACK BOX LEFT OR RIGHT WHEN ORDERING



HOUDINI

14U BACK BOX WITH VENTED REAR DOOR

26" RACK BOX



COMPUTER COMFORTS INC.
 367 COLUMBIA
 MEMORIAL PKWY.
 KEMAH, TX 77565
 281-535-2288

PROPRIETARY AND CONFIDENTIAL

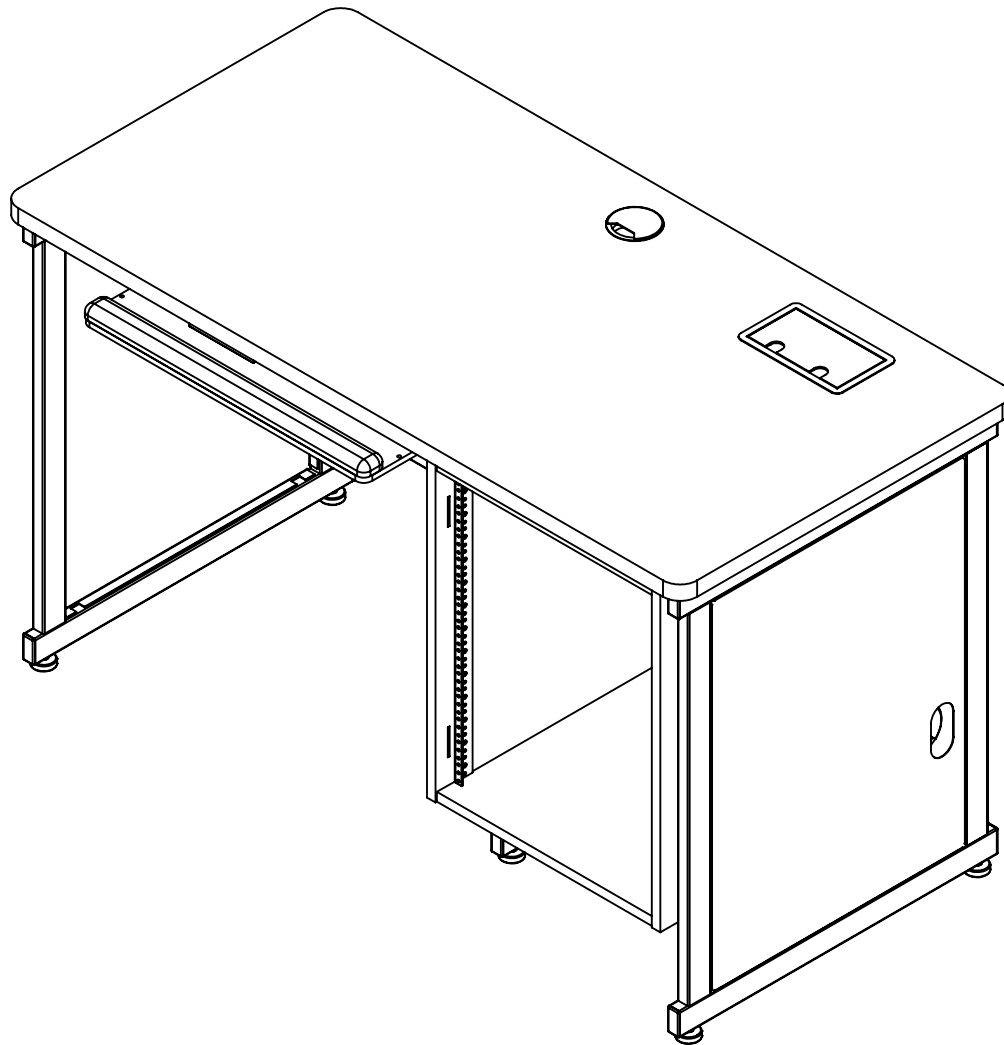
THE INFORMATION CONTAINED IN THIS DRAWING IS THE SOLE PROPERTY OF COMPUTER COMFORTS INC. ANY REPRODUCTION IN PART OR AS A WHOLE WITHOUT THE WRITTEN PERMISSION OF COMPUTER COMFORTS INC. IS PROHIBITED.

G:\NCSW\CCI\IT TABLES\

DRAWN BY **SAB**
 DATE **10-30-10**
 DO NOT SCALE DRAWING

DIMENSIONS ARE IN INCHES
 TOLERANCES:
 FRACTIONAL ± 1/32
 ANGULAR: BEND ± 1°
 ONE PLACE DECIMAL ±.02
 TWO PLACE DECIMAL ±.01
 THREE PLACE DECIMAL ±.005

PART DESCRIPTION		REV.
IT-603036		
SIZE A	DWG. NO.	
SCALE: 1:16	WEIGHT:	SHEET 1 OF 2



PROPRIETARY AND CONFIDENTIAL

THE INFORMATION CONTAINED IN THIS DRAWING IS THE SOLE PROPERTY OF COMPUTER COMFORTS, INC. ANY REPRODUCTION IN PART OR AS A WHOLE WITHOUT THE WRITTEN PERMISSION OF COMPUTER COMFORTS, INC. IS PROHIBITED.



COMPUTER COMFORTS INC.
 367 COLUMBIA
 MEMORIAL PKWY.
 KEMAH, TX 77565
 281-535-2288

DRAWN BY SAB		DIMENSIONS ARE IN INCHES		PART DESCRIPTION	
DATE 10-30-10		TOLERANCES:		IT-603036	
DO NOT SCALE DRAWING		FRACTIONAL $\pm 1/32$		SIZE	DWG. NO.
		ANGULAR: BEND $\pm 1^\circ$		A	
		ONE PLACE DECIMAL $\pm .02$			
		TWO PLACE DECIMAL $\pm .01$		SCALE: 1:16	WEIGHT:
		THREE PLACE DECIMAL $\pm .005$		SHEET 2 OF 2	