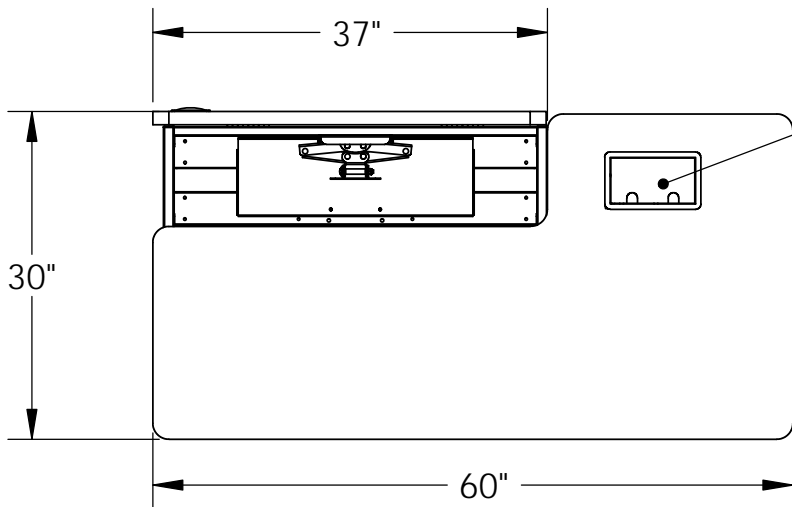
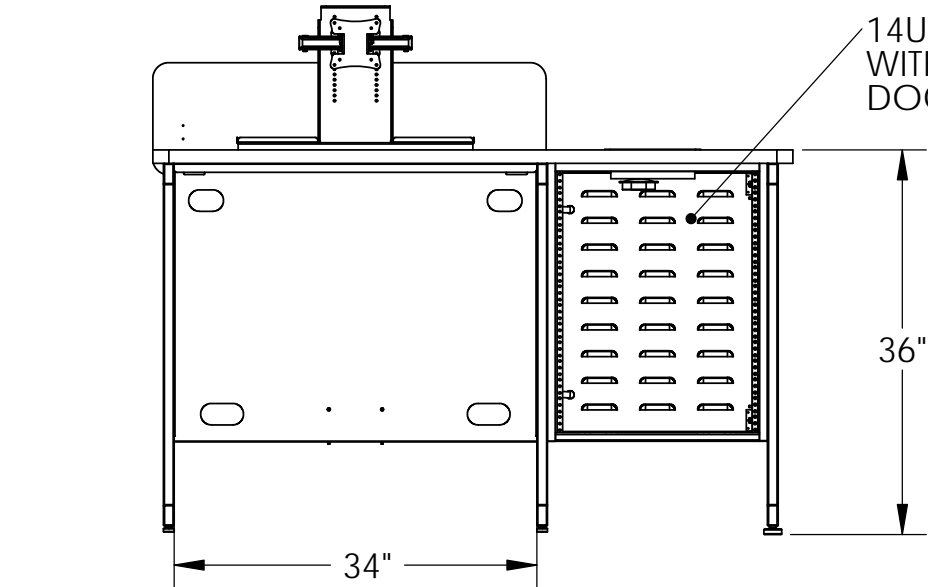


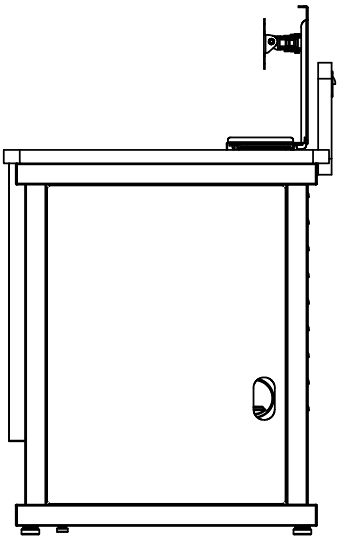
NOTE SPECIFY RACK BOX LEFT OR RIGHT WHEN ORDERING



POWER/DATA OPTIONAL



14U RACK BOX WITH REAR VENTED DOOR



SOLD AT 30"H, 32"H OR 36"H

**RACK BOX SPECS**

- 14U
- 24 1/2"H INSIDE
- 19 1./8"W
- 24 5/8" DEPTH BETWEEN RACK RAILS
- FRONT TO BACK



**COMPUTER COMFORTS INC.**

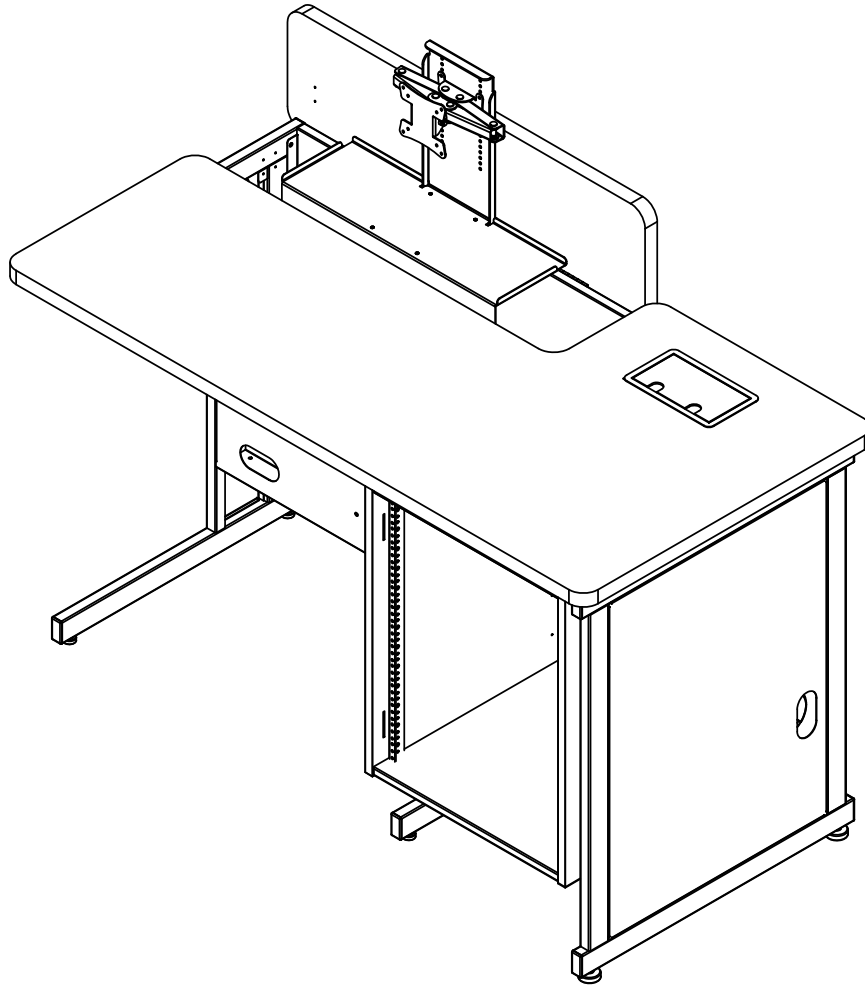
367 COLUMBIA  
MEMORIAL PKWY.  
KEMAH, TX 77565  
281-535-2288

**PROPRIETARY AND CONFIDENTIAL**  
THE INFORMATION CONTAINED IN THIS DRAWING IS THE SOLE PROPERTY OF COMPUTER COMFORTS INC. ANY REPRODUCTION IN PART OR AS A WHOLE WITHOUT THE WRITTEN PERMISSION OF COMPUTER COMFORTS INC. IS PROHIBITED.

DRAWN BY	SAB
DATE	2/10/17
DO NOT SCALE DRAWING	

DIMENSIONS ARE IN INCHES  
TOLERANCES:  
FRACTIONAL ±1/32  
ANGULAR: BEND ±1°  
ONE PLACE DECIMAL ±.02  
TWO PLACE DECIMAL ±.01  
THREE PLACE DECIMAL ±.005

PART DESCRIPTION	IT-603036-HA
PART#	



**PROPRIETARY AND CONFIDENTIAL**

THE INFORMATION CONTAINED IN THIS DRAWING IS THE SOLE PROPERTY OF COMPUTER COMFORTS INC. ANY REPRODUCTION IN PART OR AS A WHOLE WITHOUT THE WRITTEN PERMISSION OF COMPUTER COMFORTS INC. IS PROHIBITED.



**COMPUTER COMFORTS INC.**

367 COLUMBIA  
MEMORIAL PKWY.  
KEMAH, TX 77565  
281-535-2288

DRAWN BY	SAB
DATE	2/10/17
DO NOT SCALE DRAWING	

DIMENSIONS ARE IN INCHES  
TOLERANCES:  
FRACTIONAL  $\pm 1/32$   
ANGULAR: BEND  $\pm 1^\circ$   
ONE PLACE DECIMAL  $\pm .02$   
TWO PLACE DECIMAL  $\pm .01$   
THREE PLACE DECIMAL  $\pm .005$

PART DESCRIPTION  
IT-603036-HA

PART#