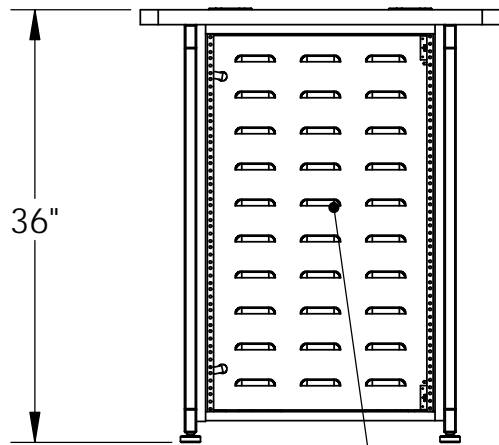
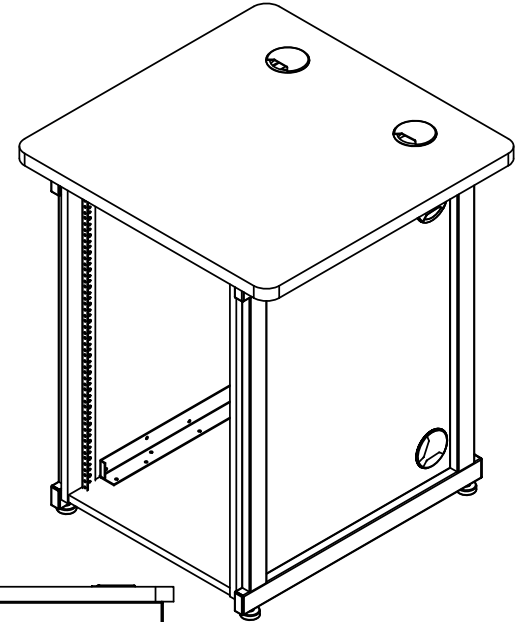
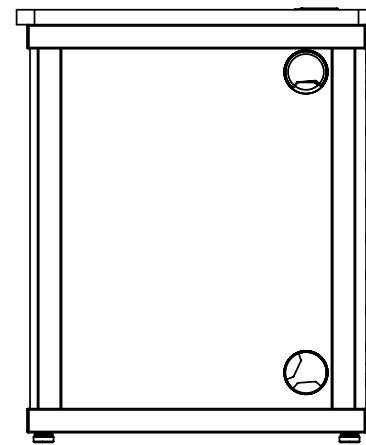


SHOWN WITH  
OPTIONAL GROMMETTS



18 U RACK BOX  
WITH REAR VENTED DOOR



**RACK BOX SPECS**

18U  
 31 1/2"H INSIDE  
 19 1/8"W  
 24 5/8" DEPTH BETWEEN RACK RAILS  
 FRONT TO BACK

**PROPRIETARY AND CONFIDENTIAL**

THE INFORMATION CONTAINED IN THIS DRAWING IS THE SOLE PROPERTY OF COMPUTER COMFORTS INC. ANY REPRODUCTION IN PART OR AS A WHOLE WITHOUT THE WRITTEN PERMISSION OF COMPUTER COMFORTS INC. IS PROHIBITED.



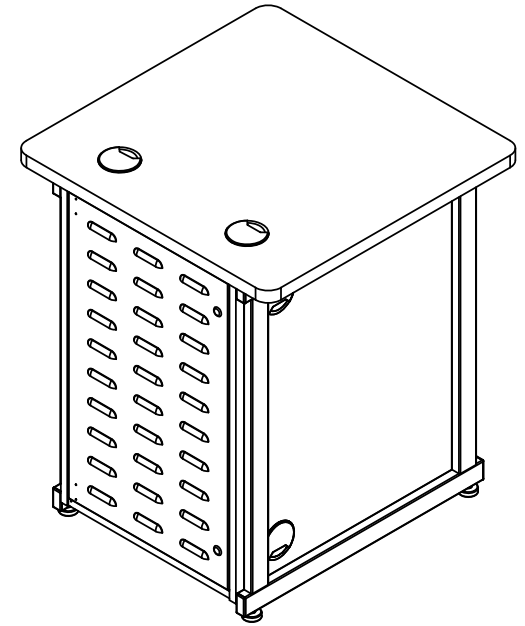
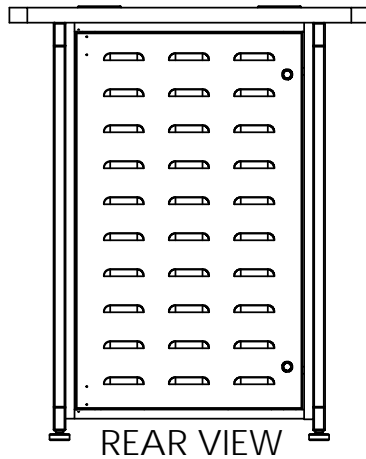
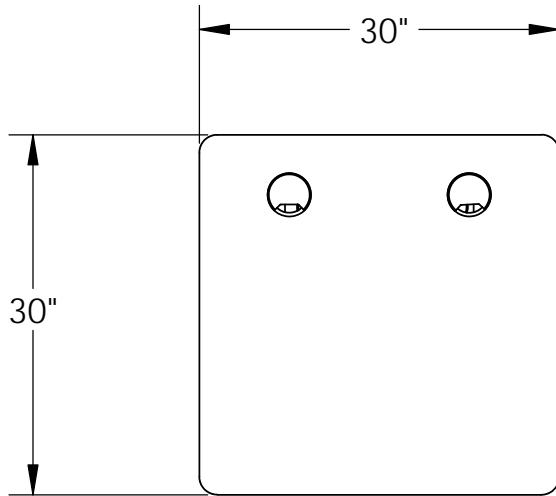
**COMPUTER COMFORTS INC.**

367 COLUMBIA  
 MEMORIAL PKWY.  
 KEMAH, TX 77565  
 281-535-2288

DRAWN BY	SAB
DATE	2/9/17
DO NOT SCALE DRAWING	

DIMENSIONS ARE IN INCHES  
 TOLERANCES:  
 FRACTIONAL ± 1/32  
 ANGULAR: BEND ± 1°  
 ONE PLACE DECIMAL ± .02  
 TWO PLACE DECIMAL ± .01  
 THREE PLACE DECIMAL ± .005

PART DESCRIPTION	
IT-303036-SS 18U	
PART#	



**PROPRIETARY AND CONFIDENTIAL**

THE INFORMATION CONTAINED IN THIS DRAWING IS THE SOLE PROPERTY OF COMPUTER COMFORTS INC. ANY REPRODUCTION IN PART OR AS A WHOLE WITHOUT THE WRITTEN PERMISSION OF COMPUTER COMFORTS INC. IS PROHIBITED.



**COMPUTER COMFORTS INC.**

367 COLUMBIA  
MEMORIAL PKWY.  
KEMAH, TX 77565  
281-535-2288

DRAWN BY **SAB**  
DATE **3/21/17**  
DO NOT SCALE DRAWING

DIMENSIONS ARE IN INCHES  
TOLERANCES:  
FRACTIONAL  $\pm 1/32$   
ANGULAR: BEND  $\pm 1^\circ$   
ONE PLACE DECIMAL  $\pm .02$   
TWO PLACE DECIMAL  $\pm .01$   
THREE PLACE DECIMAL  $\pm .005$

PART DESCRIPTION  
**IT-303036-SS 18U**

PART#