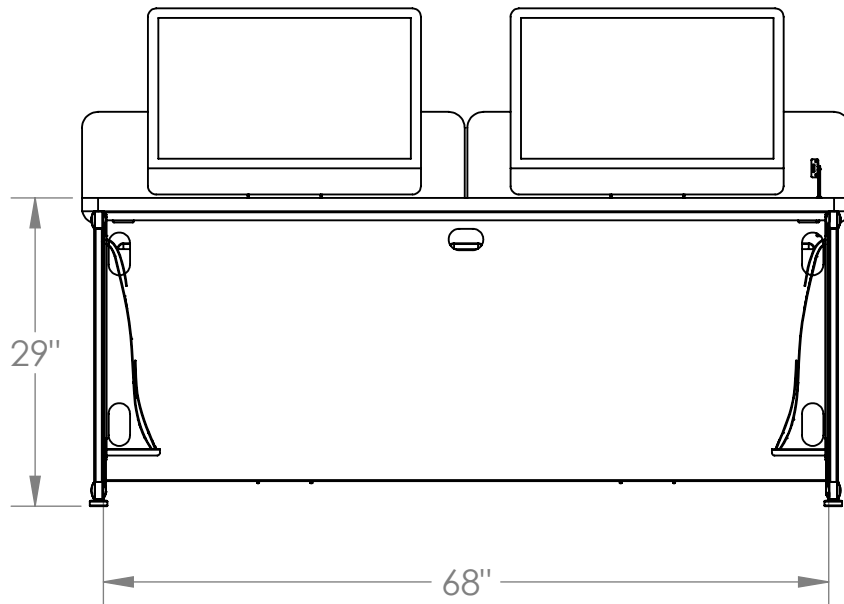
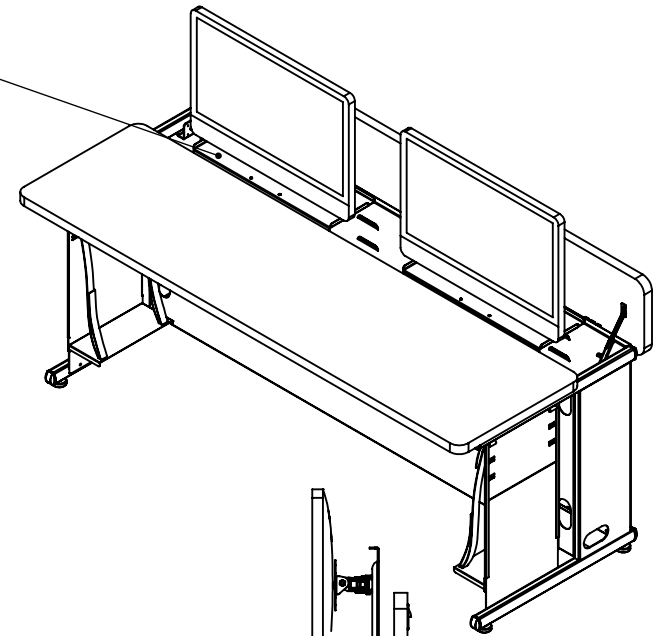
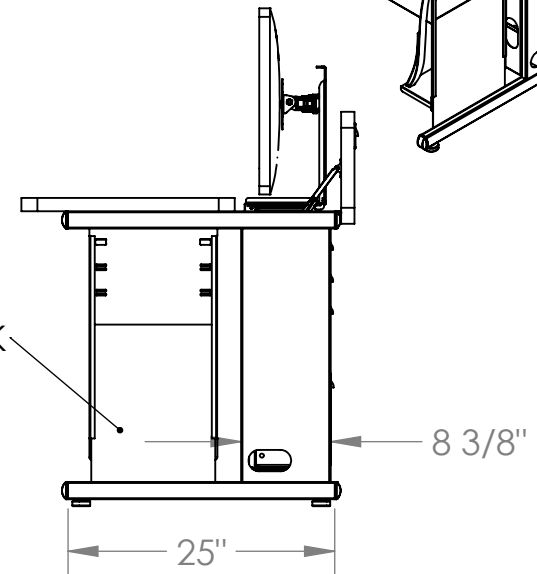


KEYBOARD TRAY  
7.25"D X 22"W



OPTIONAL CPU RACK



**PROPRIETARY AND CONFIDENTIAL**

THE INFORMATION CONTAINED IN THIS DRAWING IS THE SOLE PROPERTY OF COMPUTER COMFORTS INC. ANY REPRODUCTION IN PART OR AS A WHOLE WITHOUT THE WRITTEN PERMISSION OF COMPUTER COMFORTS INC. IS PROHIBITED.



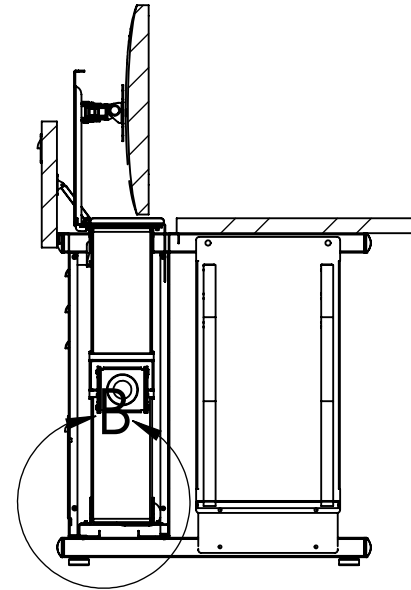
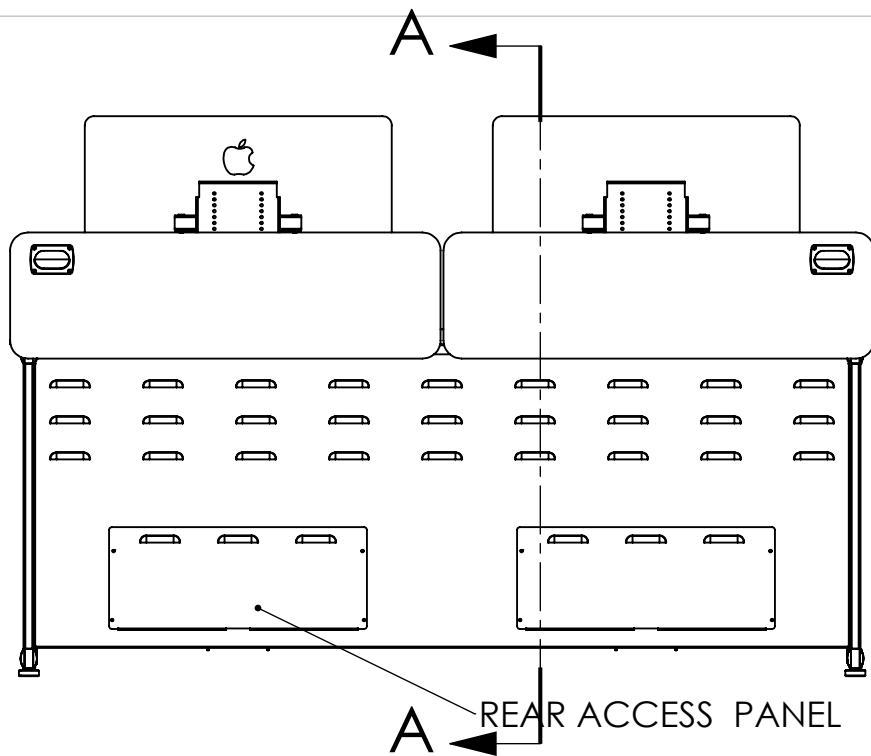
**COMPUTER COMFORTS INC.**

367 COLUMBIA  
MEMORIAL PKWY.  
KEMAH, TX 77565  
281-535-2288

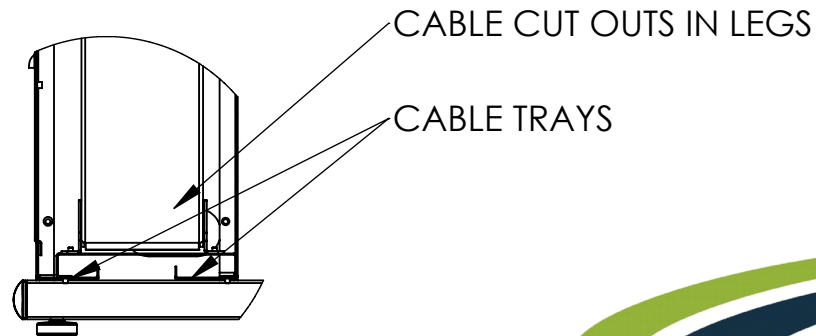
DRAWN BY **SAB**  
DATE **12/16/15**  
DO NOT SCALE DRAWING

DIMENSIONS ARE IN INCHES  
TOLERANCES:  
FRACTIONAL ± 1/32  
ANGULAR: BEND ± 1°  
ONE PLACE DECIMAL ±.02  
TWO PLACE DECIMAL ±.01  
THREE PLACE DECIMAL ±.005

PART DESCRIPTION  
**G2-723029-UNIVERSAL**  
PART#



A-A



B (1 : 8)

**PROPRIETARY AND CONFIDENTIAL**

THE INFORMATION CONTAINED IN THIS DRAWING IS THE SOLE PROPERTY OF COMPUTER COMFORTS INC. ANY REPRODUCTION IN PART OR AS A WHOLE WITHOUT THE WRITTEN PERMISSION OF COMPUTER COMFORTS INC. IS PROHIBITED.



**COMPUTER COMFORTS INC.**

367 COLUMBIA  
MEMORIAL PKWY.  
KEMAH, TX 77565  
281-535-2288

DRAWN BY **SAB**  
DATE **12/16/15**  
DO NOT SCALE DRAWING

DIMENSIONS ARE IN INCHES  
TOLERANCES:  
FRACTIONAL  $\pm 1/32$   
ANGULAR: BEND  $\pm 1^\circ$   
ONE PLACE DECIMAL  $\pm .02$   
TWO PLACE DECIMAL  $\pm .01$   
THREE PLACE DECIMAL  $\pm .005$

PART DESCRIPTION  
**G2-723029-UNIVERSAL**

PART#