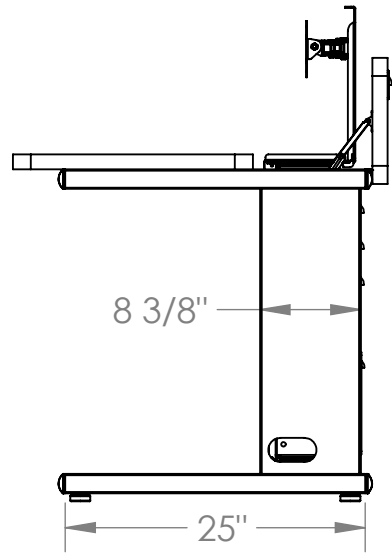
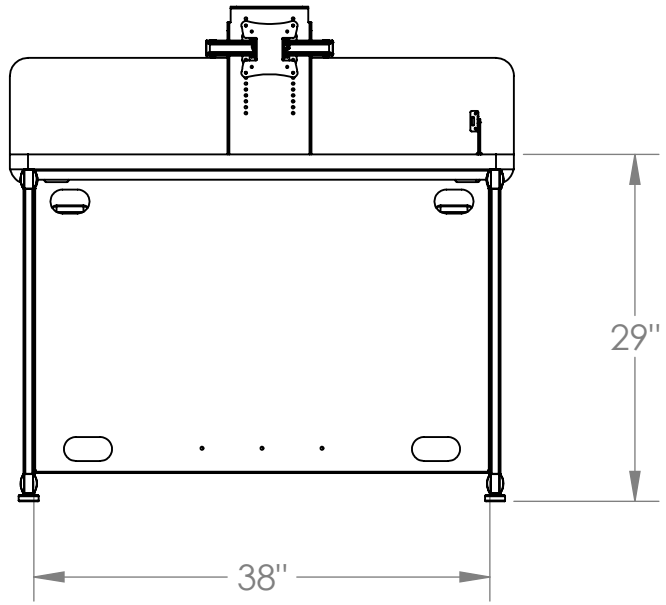
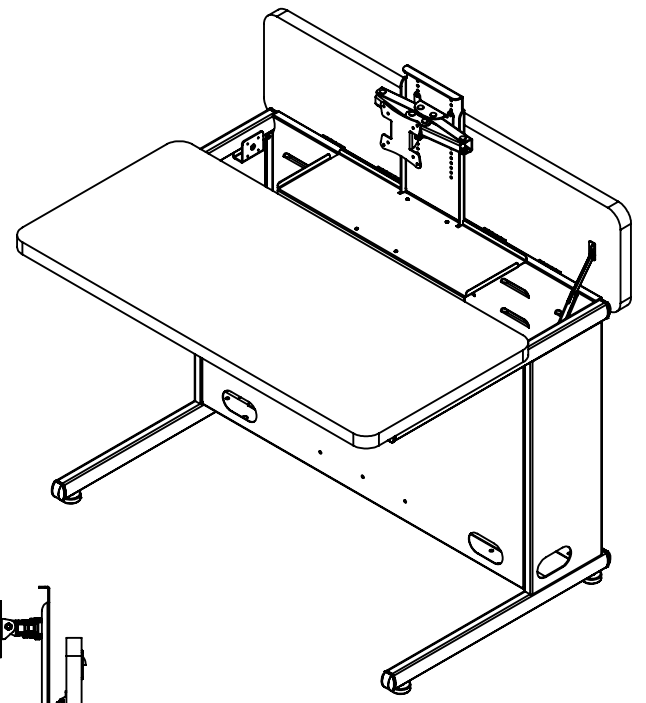


KEYBOARD TRAY
7.25"D X 22"W



COMPUTER COMFORTS INC.
367 COLUMBIA
MEMORIAL PKWY.
KEMAH, TX 77565
281-535-2288

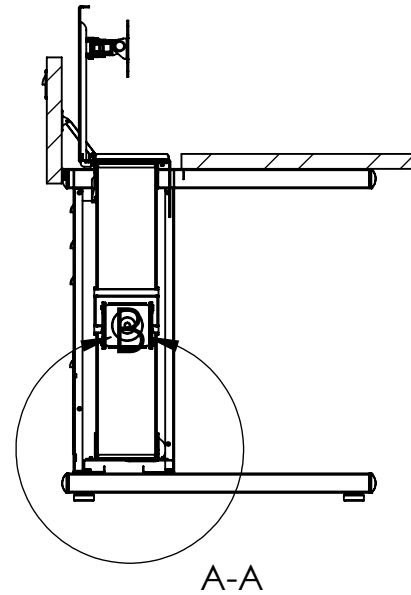
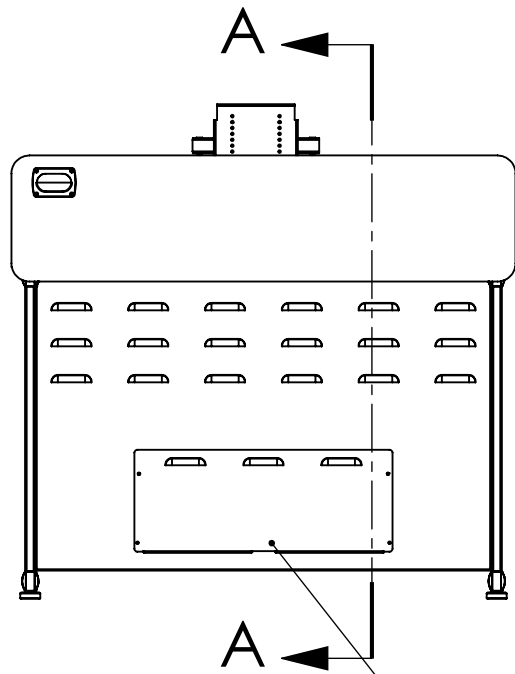
PROPRIETARY AND CONFIDENTIAL

THE INFORMATION CONTAINED IN THIS DRAWING IS THE SOLE PROPERTY OF COMPUTER COMFORTS INC. ANY REPRODUCTION IN PART OR AS A WHOLE WITHOUT THE WRITTEN PERMISSION OF COMPUTER COMFORTS INC. IS PROHIBITED.

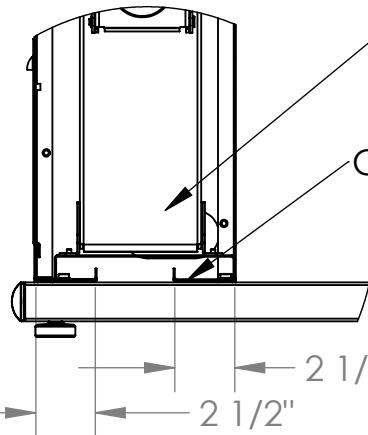
DRAWN BY **SAB**
DATE **7-2-15**
DO NOT SCALE DRAWING

DIMENSIONS ARE IN INCHES
TOLERANCES:
FRACTIONAL ± 1/32
ANGULAR: BEND ± 1°
ONE PLACE DECIMAL ±.02
TWO PLACE DECIMAL ±.01
THREE PLACE DECIMAL ±.005

PART DESCRIPTION
HA-423029-UNIVERSAL
PART#



REAR ACCESS PANEL



CABLE CUT OUT IN LEGS

CABLE TRAY

2 1/2"
B (1 : 8)
2 1/2"



COMPUTER COMFORTS INC.

367 COLUMBIA
MEMORIAL PKWY.
KEMAH, TX 77565
281-535-2288

PROPRIETARY AND CONFIDENTIAL

THE INFORMATION CONTAINED IN THIS DRAWING IS THE SOLE PROPERTY OF COMPUTER COMFORTS INC. ANY REPRODUCTION IN PART OR AS A WHOLE WITHOUT THE WRITTEN PERMISSION OF COMPUTER COMFORTS INC. IS PROHIBITED.

DRAWN BY **SAB**

DATE **7-2-15**

DO NOT SCALE DRAWING

DIMENSIONS ARE IN INCHES
TOLERANCES:
FRACTIONAL $\pm 1/32$
ANGULAR: BEND $\pm 1^\circ$
ONE PLACE DECIMAL $\pm .02$
TWO PLACE DECIMAL $\pm .01$
THREE PLACE DECIMAL $\pm .005$

PART DESCRIPTION

HA-423029-UNIVERSAL

PART#