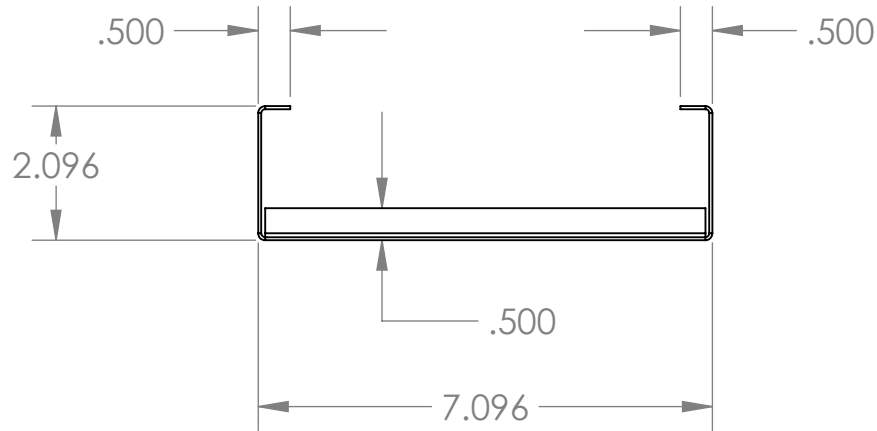


* Perforated material for bottom or side venting hardware.



DIMENSIONS ARE IN INCHES
 TOLERANCES:
 FRACTIONAL $\pm 1/32$
 ANGULAR: BEND $\pm 1^\circ$
 ONE PLACE DECIMAL $\pm .02$
 TWO PLACE DECIMAL $\pm .01$
 THREE PLACE DECIMAL $\pm .005$



DRAWN BY S.B.

PART DESCRIPTION
BAY 7W X 5DX 2H

DATE 6-19-20

INITIAL PART#

REV.

DO NOT SCALE DRAWING

#BAY-7-5-2