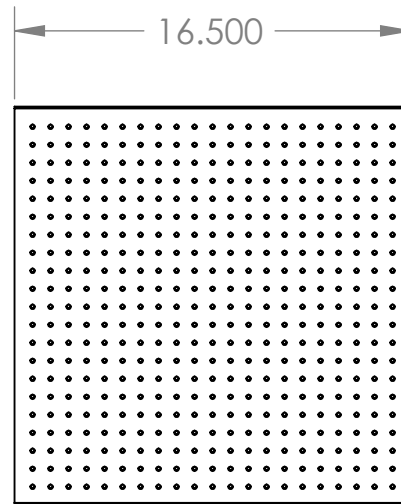
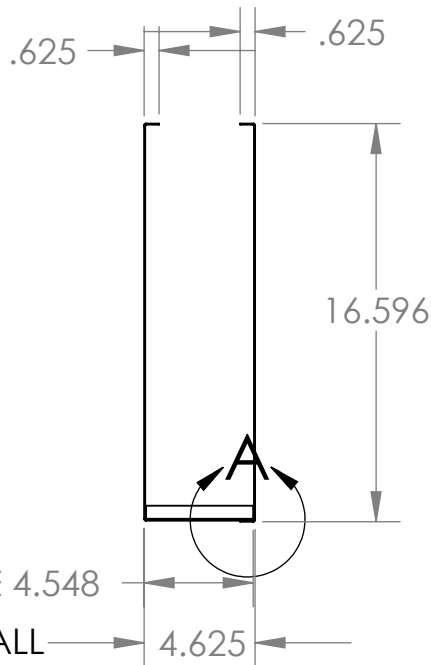
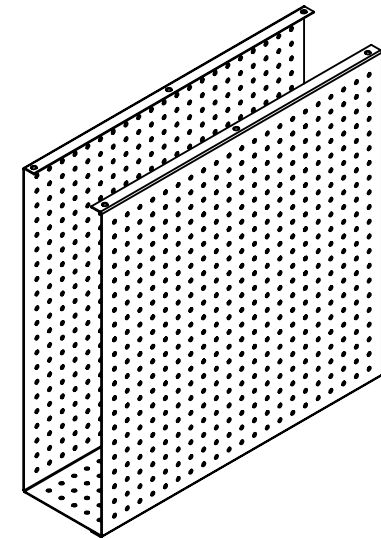


Ø .250

\* Perforated material for bottom or side venting hardware.



INSIDE 4.548

OVERALL 4.625

.625

SPOT WELD 3 PLACES

A (1 : 2)

.625

18GA CRS

DIMENSIONS ARE IN INCHES  
 TOLERANCES:  
 FRACTIONAL ± 1/32  
 ANGULAR: BEND ± 1°  
 ONE PLACE DECIMAL ± .02  
 TWO PLACE DECIMAL ± .01  
 THREE PLACE DECIMAL ± .005



DRAWN BY S.B.

PART DESCRIPTION

BAY 4.5W X 16.5D X 16.5H

DATE 6-19-20

INITIAL PART#

#BAY-4.5-16.5-16.5

DO NOT SCALE DRAWING

REV.

G:\NCSW\CCI\BAYS\CPU-BAY