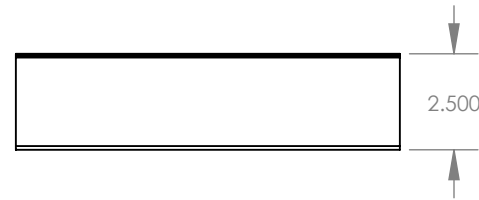
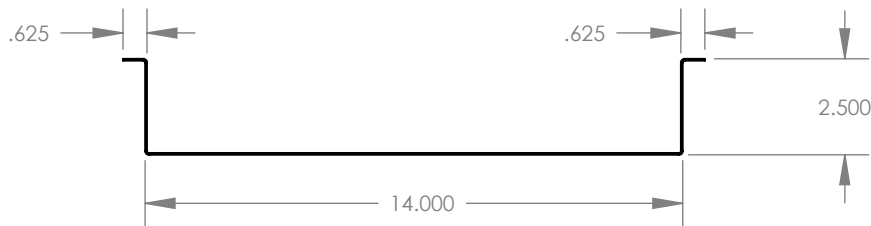
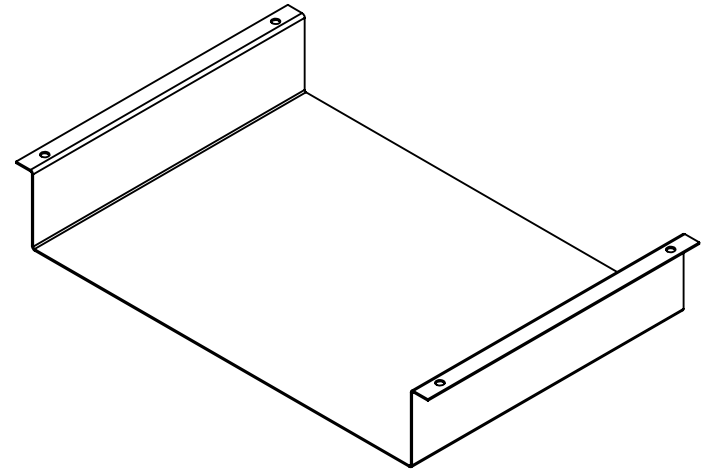
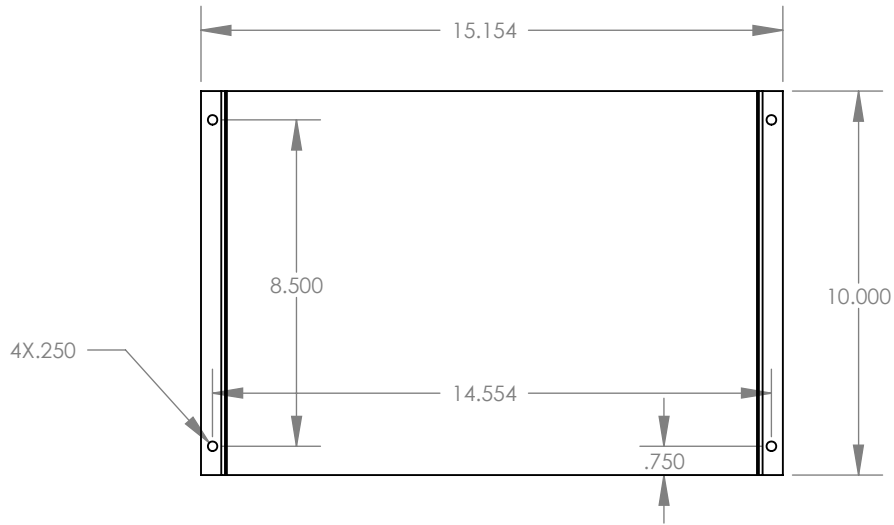


		REVISIONS			
ZONE	REV.	DESCRIPTION	DATE	APPROVED	



DRAWN BY: WD	MATERIAL 18 GA
DATE: 1/16/2020	FINISH
CHECK BY: SB	TOLERANCES: ANGULAR: BEND 1 OVERALL DIMENSIONS .040 TWO PLACE DECIMAL .010 THREE PLACE DECIMAL .010
DATE: 1/13/20	
DO NOT SCALE DRAWING	

PART DESCRIPTION BAY THIN 14Wx2.5Hx10D	
SIZE A	DWG. NO. #BAY-14-10-2.5
SCALE:1:5	WEIGHT: SHEET 1 OF 1

G:\NCSW\CCI\SHOP\9320470