

POWER/DATA OPTIONAL PLEASE SPECIFY

POWER CORE ACCESS PANEL 1 SIDE



COMPUTER COMFORTS INC.
 367 COLUMBIA
 MEMORIAL PKWY.
 KEMAH, TX 77565
 281-535-2288

PROPRIETARY AND CONFIDENTIAL

THE INFORMATION CONTAINED IN THIS DRAWING IS THE SOLE PROPERTY OF COMPUTER COMFORTS INC. ANY REPRODUCTION IN PART OR AS A WHOLE WITHOUT THE WRITTEN PERMISSION OF COMPUTER COMFORTS INC. IS PROHIBITED.

DRAWN BY **SAB**

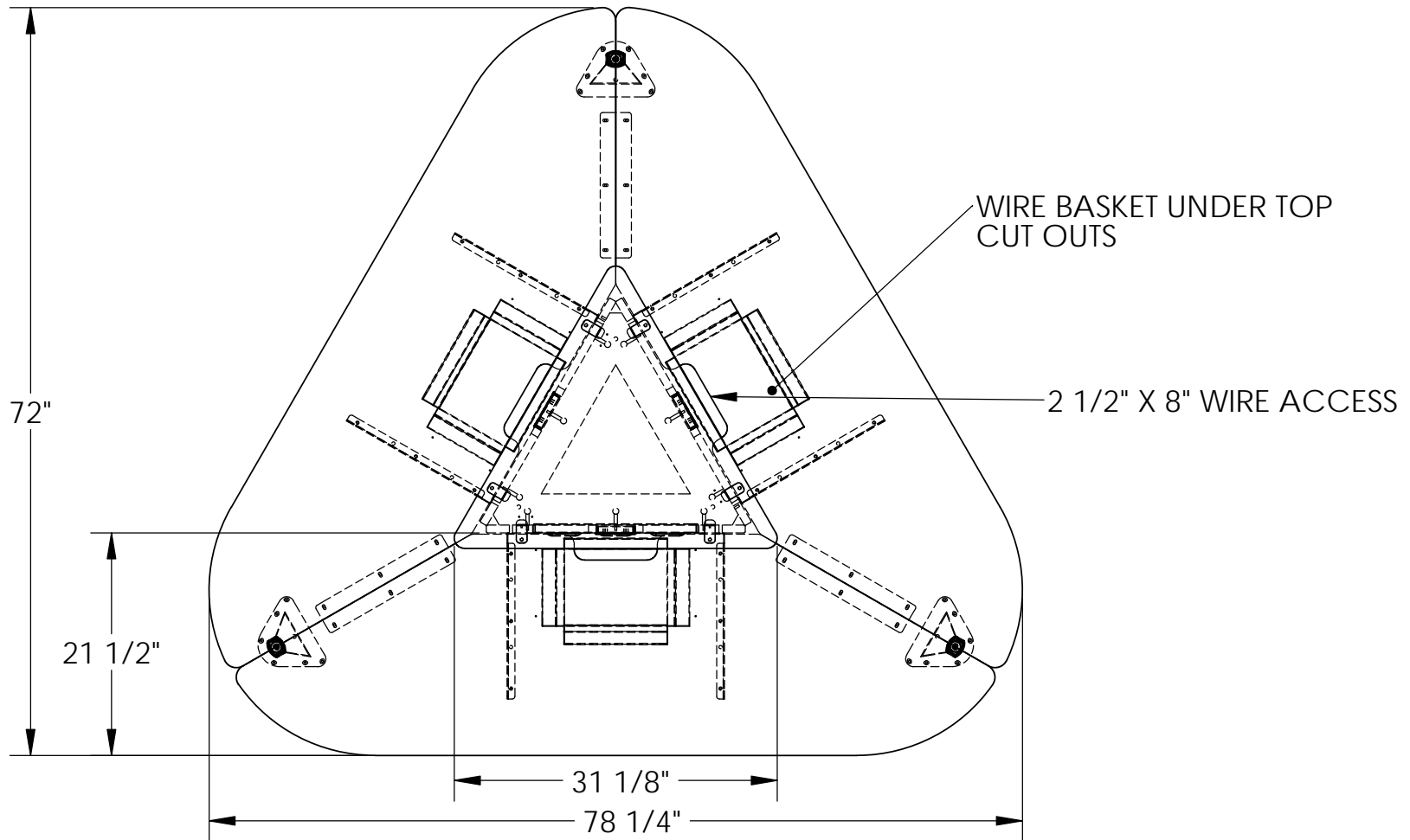
DATE **5/23/16**

DO NOT SCALE DRAWING

DIMENSIONS ARE IN INCHES
 TOLERANCES:
 FRACTIONAL ±1/32
 ANGULAR: BEND ±1°
 ONE PLACE DECIMAL ±.02
 TWO PLACE DECIMAL ±.01
 THREE PLACE DECIMAL ±.005

PART DESCRIPTION
ALC-72-TRI-LP

PART#



COMPUTER COMFORTS INC.

367 COLUMBIA
MEMORIAL PKWY.
KEMAH, TX 77565
281-535-2288

PROPRIETARY AND CONFIDENTIAL

THE INFORMATION CONTAINED IN THIS DRAWING IS THE SOLE PROPERTY OF COMPUTER COMFORTS INC. ANY REPRODUCTION IN PART OR AS A WHOLE WITHOUT THE WRITTEN PERMISSION OF COMPUTER COMFORTS INC. IS PROHIBITED.

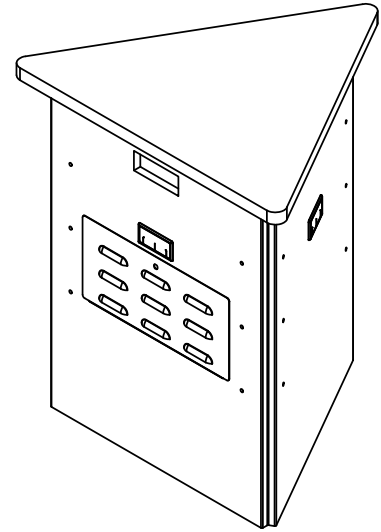
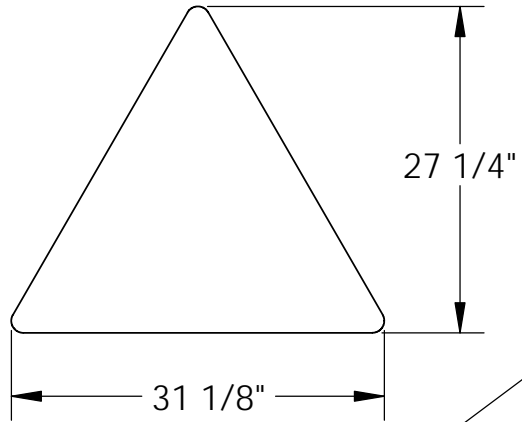
DRAWN BY	SAB
DATE	5/23/16
DO NOT SCALE DRAWING	

DIMENSIONS ARE IN INCHES
TOLERANCES:
FRACTIONAL $\pm 1/32$
ANGULAR: BEND $\pm 1^\circ$
ONE PLACE DECIMAL $\pm .02$
TWO PLACE DECIMAL $\pm .01$
THREE PLACE DECIMAL $\pm .005$

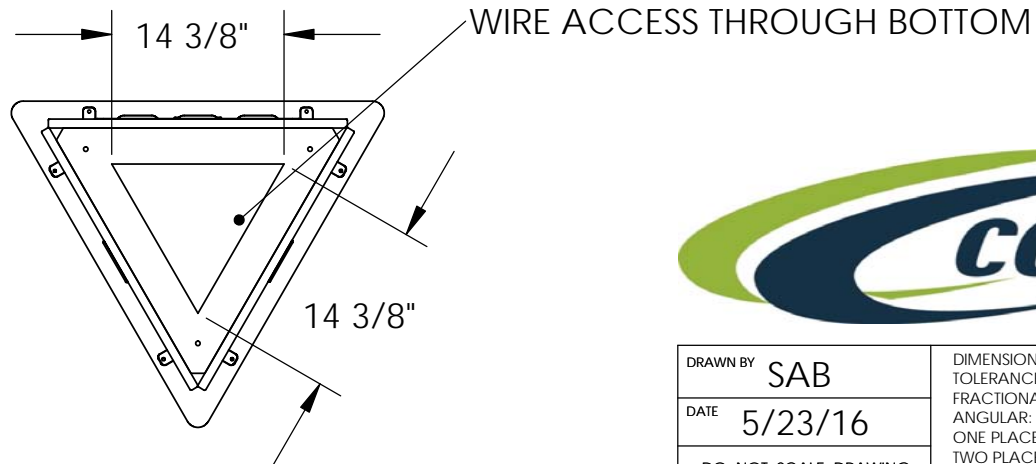
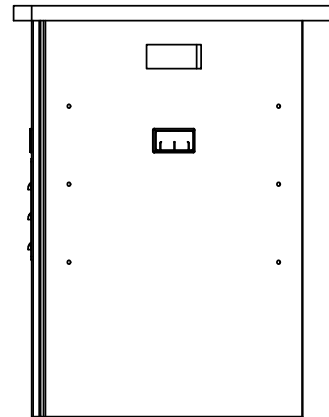
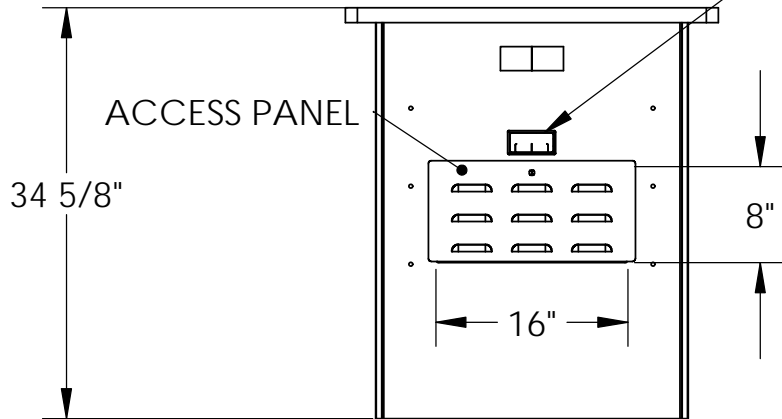
PART DESCRIPTION

ALC-72-TRI-LP

PART#



GROMMET UNDER
WORK SURFACE
TOP



WIRE ACCESS THROUGH BOTTOM

PROPRIETARY AND CONFIDENTIAL

THE INFORMATION CONTAINED IN THIS DRAWING IS THE SOLE PROPERTY OF COMPUTER COMFORTS INC. ANY REPRODUCTION IN PART OR AS A WHOLE WITHOUT THE WRITTEN PERMISSION OF COMPUTER COMFORTS INC. IS PROHIBITED.



COMPUTER COMFORTS INC.

367 COLUMBIA
MEMORIAL PKWY.
KEMAH, TX 77565
281-535-2288

DRAWN BY	SAB
DATE	5/23/16
DO NOT SCALE DRAWING	

DIMENSIONS ARE IN INCHES
TOLERANCES:
FRACTIONAL $\pm 1/32$
ANGULAR: BEND $\pm 1^\circ$
ONE PLACE DECIMAL $\pm .02$
TWO PLACE DECIMAL $\pm .01$
THREE PLACE DECIMAL $\pm .005$

PART DESCRIPTION	ALC-72-TRI-LP
PART#	