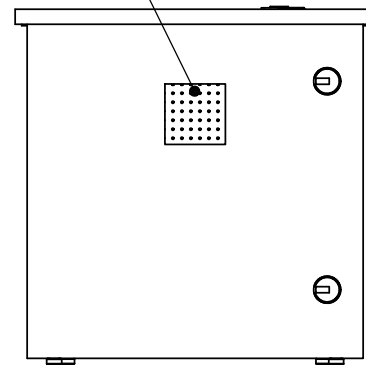


5" X 5" VENT COVER



RACK CABINET TO ACCOMMODATE MIDDLE ATLANTIC CFR-13-23



**COMPUTER COMFORTS INC.**  
 367 COLUMBIA  
 MEMORIAL PKWY.  
 KEMAH, TX 77565  
 281-535-2288

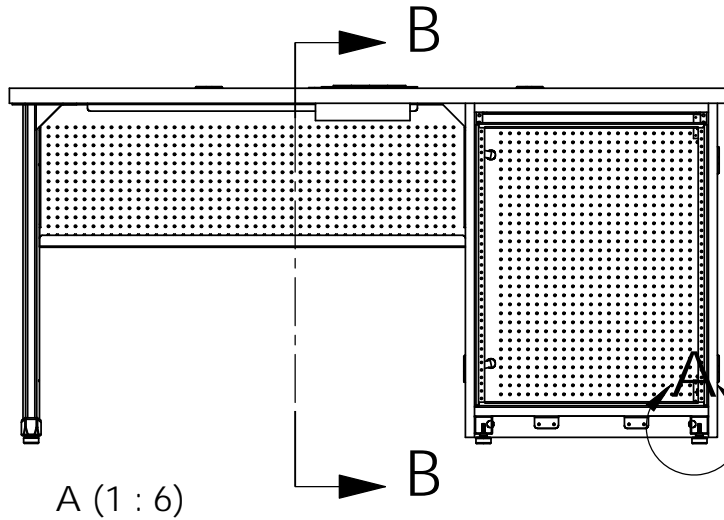
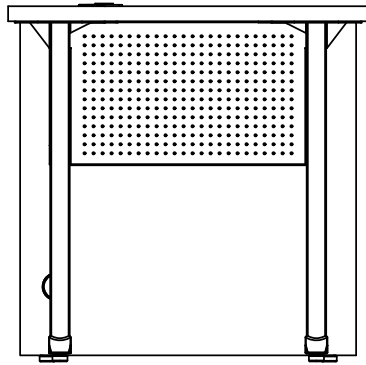
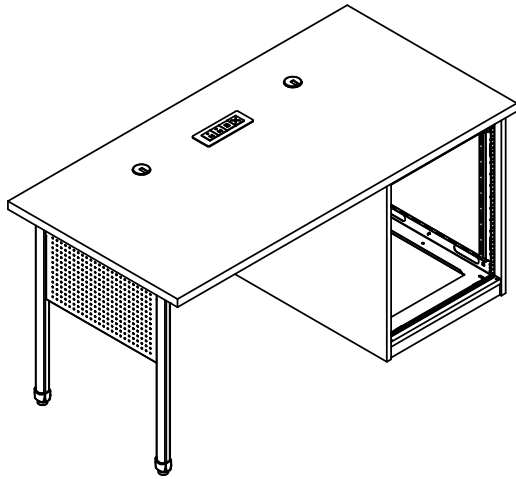
**PROPRIETARY AND CONFIDENTIAL**

THE INFORMATION CONTAINED IN THIS DRAWING IS THE SOLE PROPERTY OF COMPUTER COMFORTS INC. ANY REPRODUCTION IN PART OR AS A WHOLE WITHOUT THE WRITTEN PERMISSION OF COMPUTER COMFORTS INC. IS PROHIBITED.

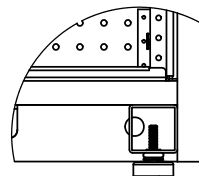
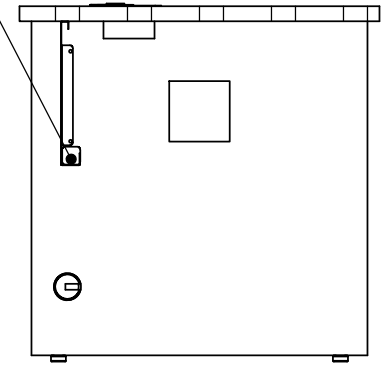
DRAWN BY **SAB**  
 DATE **11/4/19**  
 DO NOT SCALE DRAWING

DIMENSIONS ARE IN INCHES

PART DESCRIPTION  
**ACC2-603029-RACK-R**  
 PART#



1 1/2" SQUARE HOLE  
IN LINE WITH THE CABLE  
TRAY TO RUN WIRE INTO  
THE RACK BOX



A (1 : 6)

B-B

**PROPRIETARY AND CONFIDENTIAL**

THE INFORMATION CONTAINED IN THIS DRAWING IS THE SOLE PROPERTY OF COMPUTER COMFORTS INC. ANY REPRODUCTION IN PART OR AS A WHOLE WITHOUT THE WRITTEN PERMISSION OF COMPUTER COMFORTS INC. IS PROHIBITED.

1 1/2" SQUARE TUBE  
ACTS AS CORNER BRACE  
AND THE GLIDES ARE INSTALLED  
INTO THE TUBE USING WELD NUTS



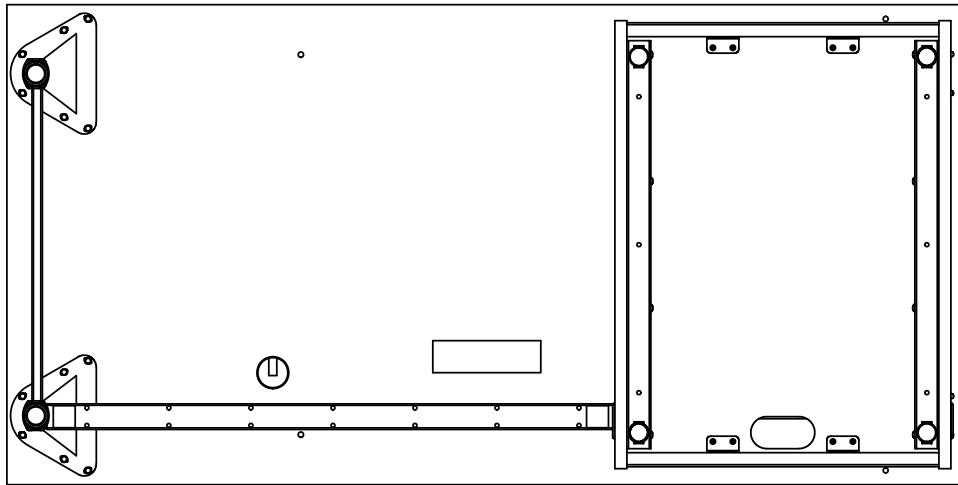
**COMPUTER COMFORTS INC.**

367 COLUMBIA  
MEMORIAL PKWY.  
KEMAH, TX 77565  
281-535-2288

|                      |         |
|----------------------|---------|
| DRAWN BY             | SAB     |
| DATE                 | 11/4/19 |
| DO NOT SCALE DRAWING |         |

DIMENSIONS ARE IN INCHES

|                  |                    |
|------------------|--------------------|
| PART DESCRIPTION | ACC2-603029-RACK-R |
| PART#            |                    |



**COMPUTER COMFORTS INC.**

367 COLUMBIA  
MEMORIAL PKWY.  
KEMAH, TX 77565  
281-535-2288

**PROPRIETARY AND CONFIDENTIAL**

THE INFORMATION CONTAINED IN THIS DRAWING IS THE SOLE PROPERTY OF COMPUTER COMFORTS INC. ANY REPRODUCTION IN PART OR AS A WHOLE WITHOUT THE WRITTEN PERMISSION OF COMPUTER COMFORTS INC. IS PROHIBITED.

|                      |         |
|----------------------|---------|
| DRAWN BY             | SAB     |
| DATE                 | 11/4/19 |
| DO NOT SCALE DRAWING |         |

DIMENSIONS ARE IN INCHES

PART DESCRIPTION  
**ACC2-603029-RACK-R**

PART#