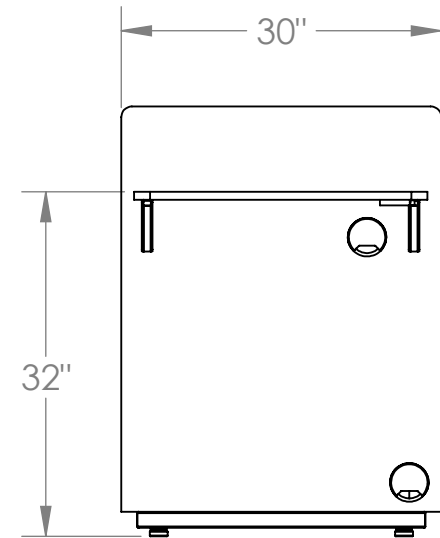
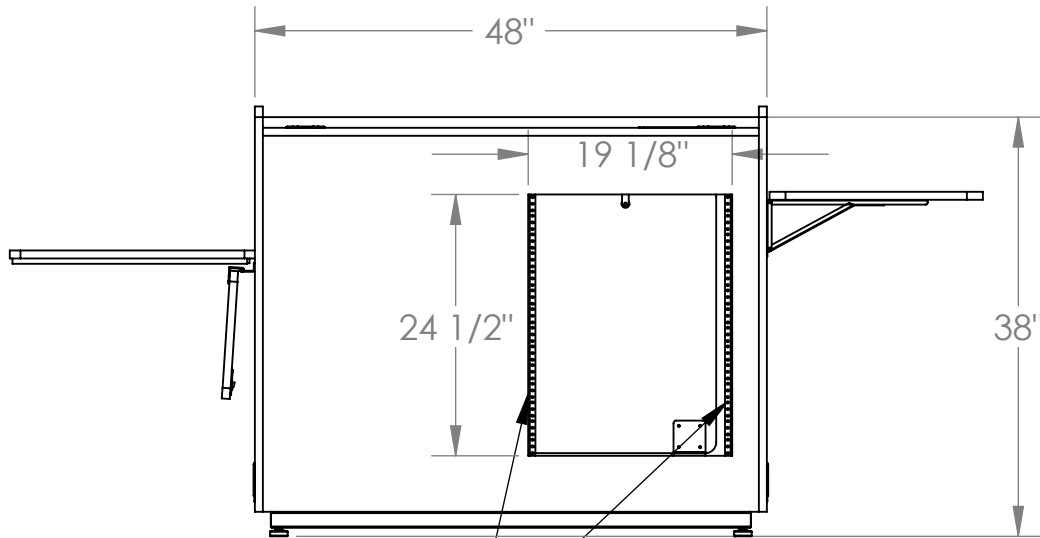


NOTE: GROMMETS, INTERACT & FLIP UP-SHELF ARE OPTIONAL



**computer comforts.com**

**COMPUTER COMFORTS INC.**  
 367 COLUMBIA  
 MEMORIAL PKWY.  
 KEMAH, TX 77565  
 281-535-2288

**PROPRIETARY AND CONFIDENTIAL**

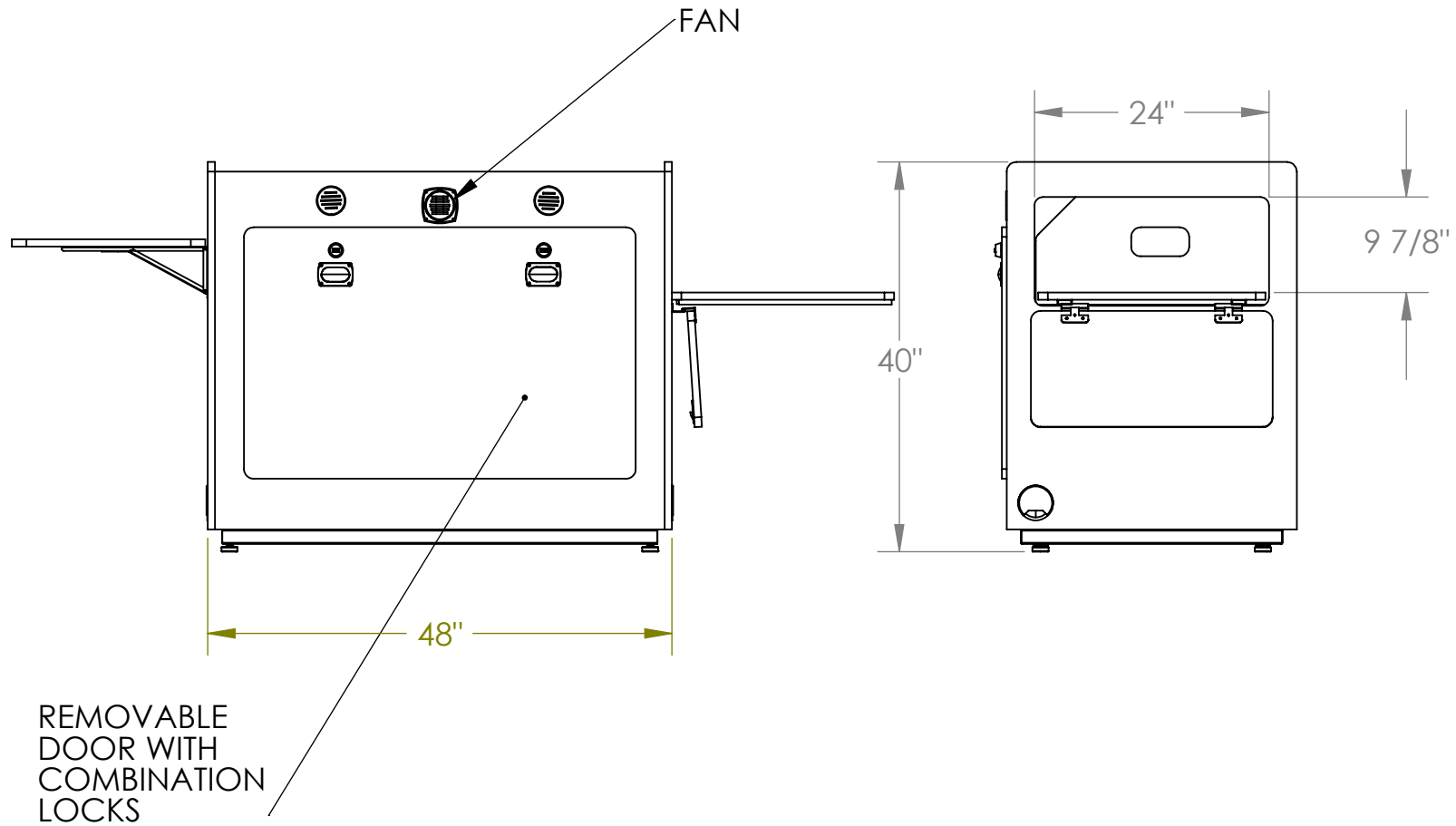
THE INFORMATION CONTAINED IN THIS DRAWING IS THE SOLE PROPERTY OF COMPUTER COMFORTS INC. ANY REPRODUCTION IN PART OR AS A WHOLE WITHOUT THE WRITTEN PERMISSION OF COMPUTER COMFORTS INC. IS PROHIBITED.

G:\NCSW\CCI\ULS-1\

DRAWN BY	SAB
DATE	12-20-10
DO NOT SCALE DRAWING	

DIMENSIONS ARE IN INCHES  
 TOLERANCES:  
 FRACTIONAL ± 1/32  
 ANGULAR: BEND ± 1°  
 ONE PLACE DECIMAL ±.02  
 TWO PLACE DECIMAL ±.01  
 THREE PLACE DECIMAL ±.005

PART DESCRIPTION		REV.
ULS-2		
SIZE	DWG. NO.	
A		
SCALE: 1:24	WEIGHT:	SHEET 1 OF 3



**PROPRIETARY AND CONFIDENTIAL**

THE INFORMATION CONTAINED IN THIS DRAWING IS THE SOLE PROPERTY OF COMPUTER COMFORTS INC. ANY REPRODUCTION IN PART OR AS A WHOLE WITHOUT THE WRITTEN PERMISSION OF COMPUTER COMFORTS INC. IS PROHIBITED.

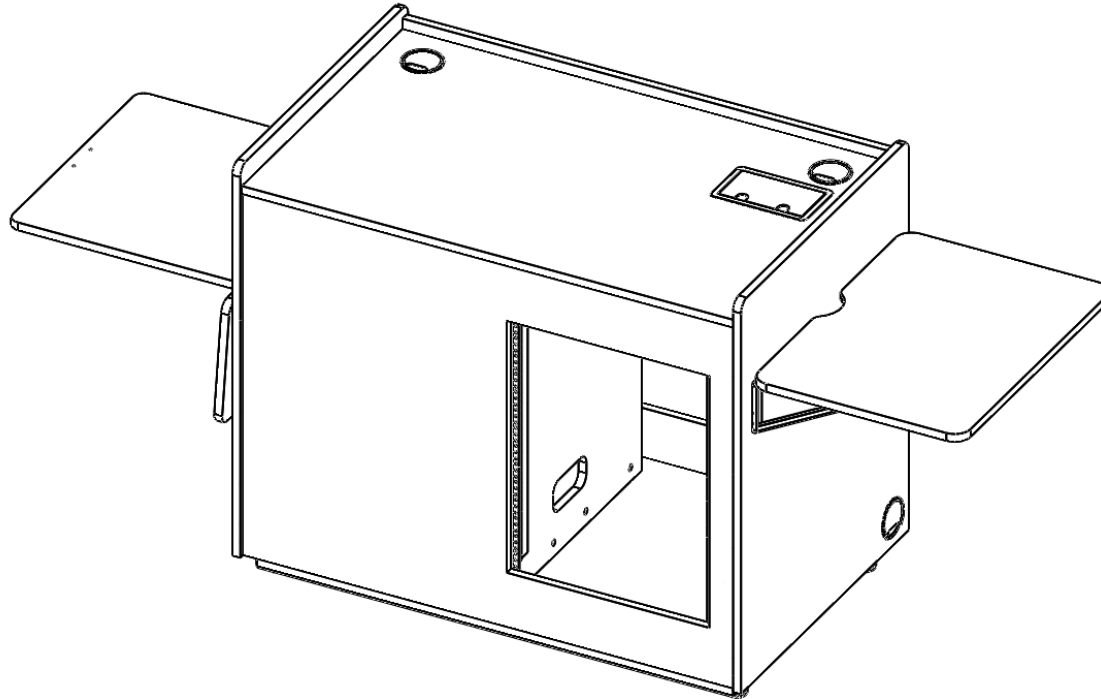
G:\NCSW\CCI\ULS-1\



**COMPUTER COMFORTS INC.**

367 COLUMBIA  
MEMORIAL PKWY.  
KEMAH, TX 77565  
281-535-2288

DRAWN BY <b>SAB</b>		DIMENSIONS ARE IN INCHES		PART DESCRIPTION	
DATE <b>12-20-10</b>		TOLERANCES:		<b>ULS-2</b>	
DO NOT SCALE DRAWING		FRACTIONAL ± 1/32		SIZE	
		ANGULAR: BEND ± 1°		DWG. NO.	
		ONE PLACE DECIMAL ±.02		REV.	
		TWO PLACE DECIMAL ±.01		SCALE: 1:24	
		THREE PLACE DECIMAL ±.005		WEIGHT:	
				SHEET 2 OF 3	



**PROPRIETARY AND CONFIDENTIAL**

THE INFORMATION CONTAINED IN THIS DRAWING IS THE SOLE PROPERTY OF COMPUTER COMFORTS INC. ANY REPRODUCTION IN PART OR AS A WHOLE WITHOUT THE WRITTEN PERMISSION OF COMPUTER COMFORTS INC. IS PROHIBITED.

G:\NCSW\CCI\ULS-1\



**COMPUTER COMFORTS INC.**

367 COLUMBIA  
MEMORIAL PKWY.  
KEMAH, TX 77565  
281-535-2288

DRAWN BY <b>SAB</b>		DIMENSIONS ARE IN INCHES		PART DESCRIPTION	
DATE <b>12-20-10</b>		TOLERANCES:		<b>ULS-2</b>	
DO NOT SCALE DRAWING		FRACTIONAL $\pm 1/32$		SIZE	DWG. NO.
		ANGULAR: BEND $\pm 1^\circ$		<b>A</b>	
		ONE PLACE DECIMAL $\pm .02$			
		TWO PLACE DECIMAL $\pm .01$		SCALE: 1:24	WEIGHT:
		THREE PLACE DECIMAL $\pm .005$		SHEET 3 OF 3	