

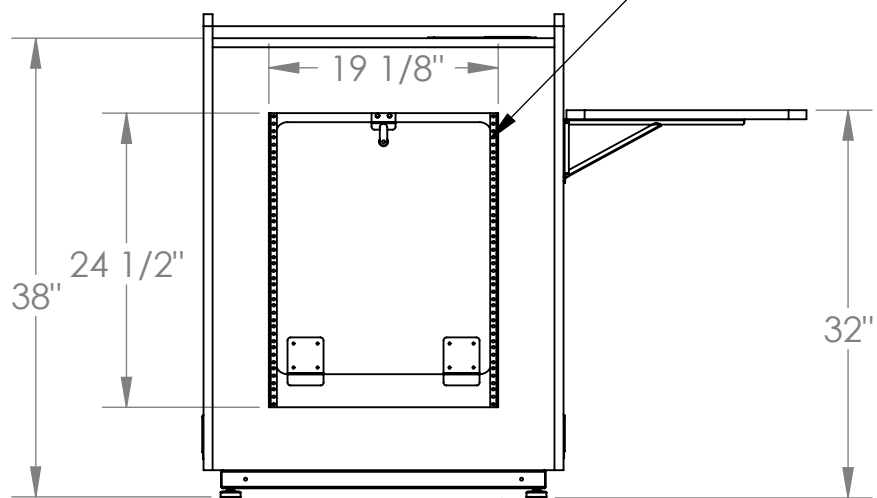
NOTE: GROMMETS, INTERACT & FLIP UP-SHELF ARE OPTIONAL

CABLE CUT OUT OPTIONAL

INTERACT PLUS OPTIONAL

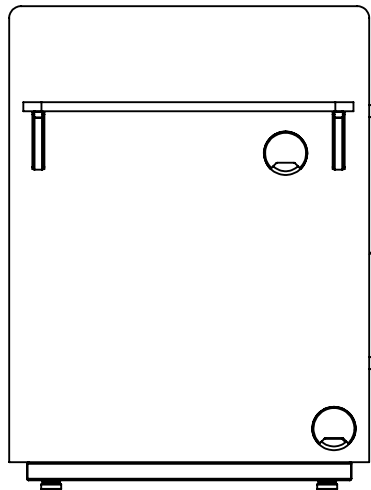
NOTE MAXIMUM RACK DEPTH 26" CLEAR

20" 14U RACK RAILS



27" BASE FRAME

1 1/2" FULLY WELDED FRAME



REMOVEABLE DOOR WITH COMBINATION LOCK



computer comforts.com

COMPUTER COMFORTS INC.
 367 COLUMBIA MEMORIAL PKWY.
 KEMAH, TX 77565
 281-535-2288

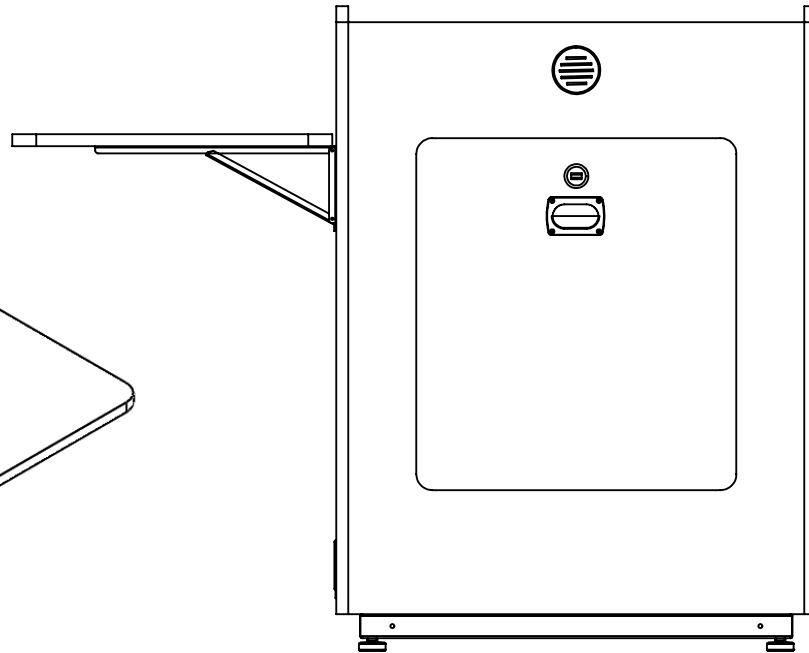
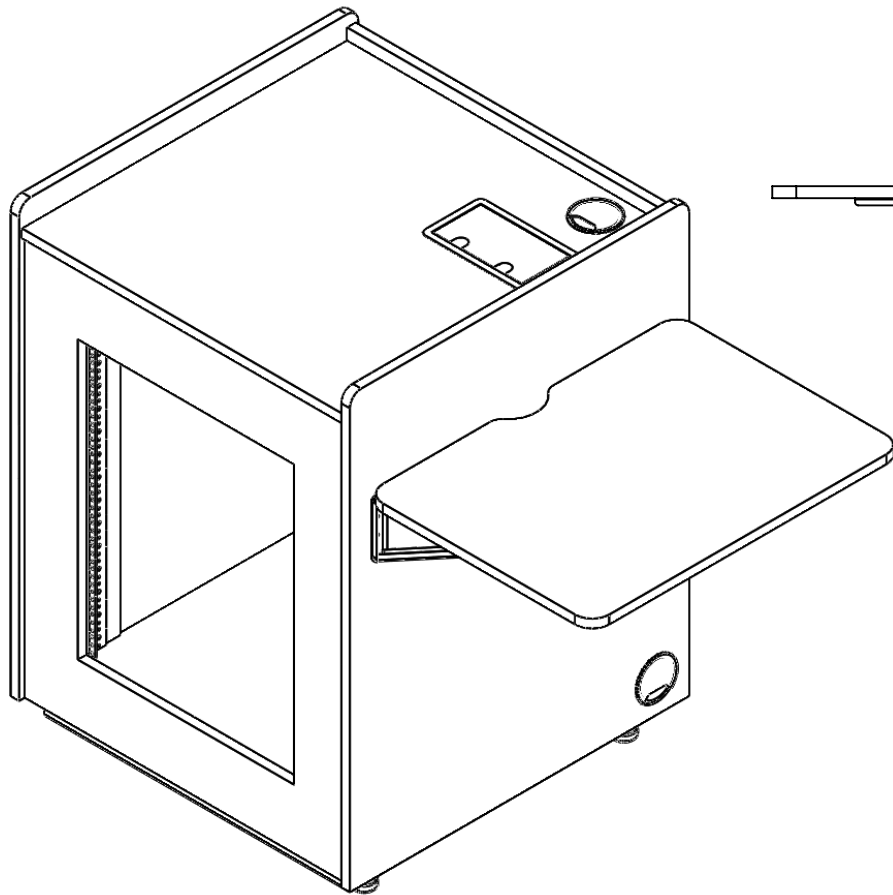
PROPRIETARY AND CONFIDENTIAL
 THE INFORMATION CONTAINED IN THIS DRAWING IS THE SOLE PROPERTY OF COMPUTER COMFORTS INC. ANY REPRODUCTION IN PART OR AS A WHOLE WITHOUT THE WRITTEN PERMISSION OF COMPUTER COMFORTS INC. IS PROHIBITED.

G:\NCSW\CCI\ULS-1\

DRAWN BY **SAB**
 DATE **12-21-11**
 DO NOT SCALE DRAWING

DIMENSIONS ARE IN INCHES
 TOLERANCES:
 FRACTIONAL ± 1/32
 ANGULAR: BEND ± 1°
 ONE PLACE DECIMAL ± .02
 TWO PLACE DECIMAL ± .01
 THREE PLACE DECIMAL ± .005

PART DESCRIPTION		REV.
ULS-1		
SIZE A	DWG. NO.	
SCALE: 1:16	WEIGHT:	SHEET 1 OF 2



BACK VIEW

PROPRIETARY AND CONFIDENTIAL

THE INFORMATION CONTAINED IN THIS DRAWING IS THE SOLE PROPERTY OF COMPUTER COMFORTS INC. ANY REPRODUCTION IN PART OR AS A WHOLE WITHOUT THE WRITTEN PERMISSION OF COMPUTER COMFORTS INC. IS PROHIBITED.

G:\NCSW\CCI\ULS-1\



COMPUTER COMFORTS INC.

367 COLUMBIA
MEMORIAL PKWY.
KEMAH, TX 77565
281-535-2288

DRAWN BY SAB		DIMENSIONS ARE IN INCHES TOLERANCES: FRACTIONAL $\pm 1/32$ ANGULAR: BEND $\pm 1^\circ$ ONE PLACE DECIMAL $\pm .02$ TWO PLACE DECIMAL $\pm .01$ THREE PLACE DECIMAL $\pm .005$		PART DESCRIPTION ULS-1	
DATE 11-21-11		SCALE: 1:16		REV.	
DO NOT SCALE DRAWING		WEIGHT:		SHEET 2 OF 2	