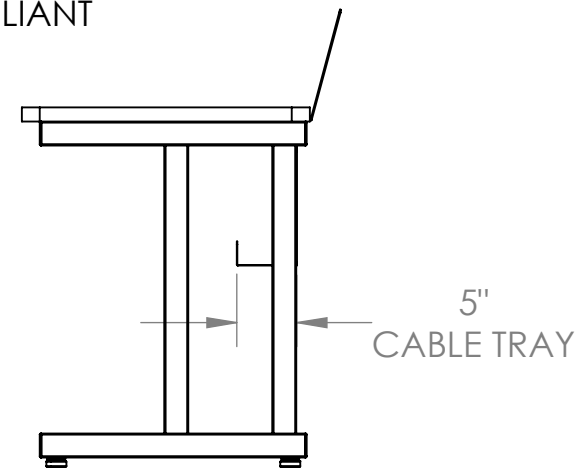
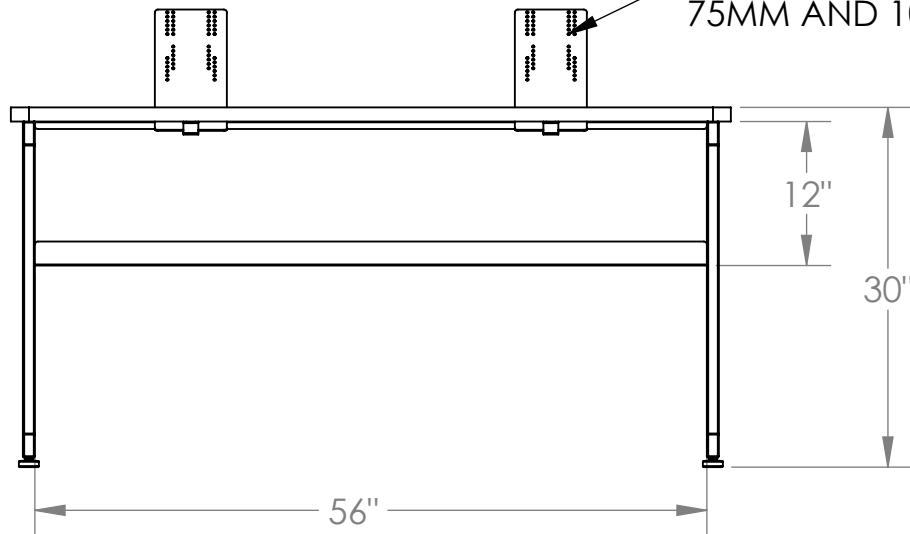


CUSTOM VEAS PLATE
75MM AND 100MM COMPLIANT



PROPRIETARY AND CONFIDENTIAL

THE INFORMATION CONTAINED IN THIS DRAWING IS THE SOLE PROPERTY OF COMPUTER COMFORTS INC. ANY REPRODUCTION IN PART OR AS A WHOLE WITHOUT THE WRITTEN PERMISSION OF COMPUTER COMFORTS INC. IS PROHIBITED.

G:\NCSW\CCI\LTP\



COMPUTER COMFORTS INC.

367 COLUMBIA
MEMORIAL PKWY.
KEMAH, TX 77565
281-535-2288

DRAWN BY SAB	DIMENSIONS ARE IN INCHES TOLERANCES: FRACTIONAL $\pm 1/32$ ANGULAR: BEND $\pm 1^\circ$ ONE PLACE DECIMAL $\pm .02$ TWO PLACE DECIMAL $\pm .01$ THREE PLACE DECIMAL $\pm .005$	PART DESCRIPTION LCD-602430
DATE 2-15-12	DO NOT SCALE DRAWING	SIZE A DWG. NO. REV.
SCALE: 1:16		WEIGHT: SHEET 1 OF 1