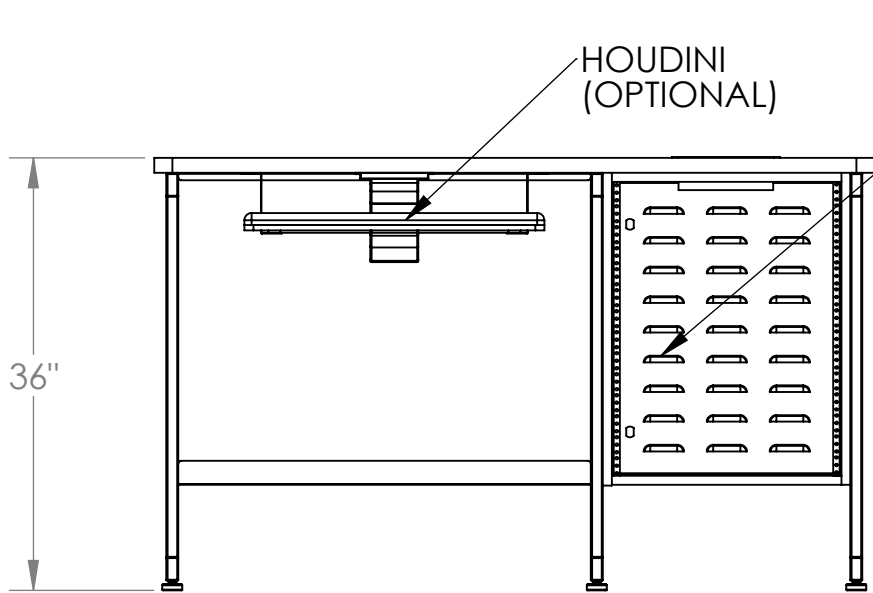


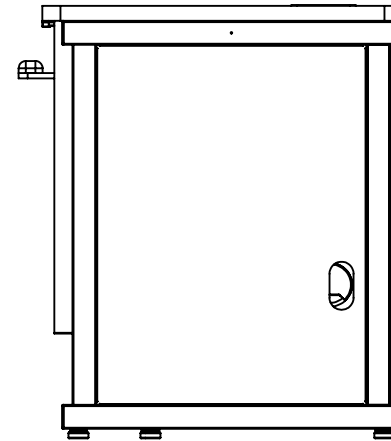
INTERACT
(OPTIONAL)

NOTE SPECIFY RACK BOX LEFT OR RIGHT
WHEN ORDERING



HOUDINI
(OPTIONAL)

14U RACK BOX
WITH DOOR



PROPRIETARY AND CONFIDENTIAL

THE INFORMATION CONTAINED IN THIS DRAWING IS THE SOLE PROPERTY OF COMPUTER COMFORTS INC. ANY REPRODUCTION IN PART OR AS A WHOLE WITHOUT THE WRITTEN PERMISSION OF COMPUTER COMFORTS INC. IS PROHIBITED.

G:\NCSW\CCI\IT TABLES\



computer comforts.com

DRAWN BY **SAB**

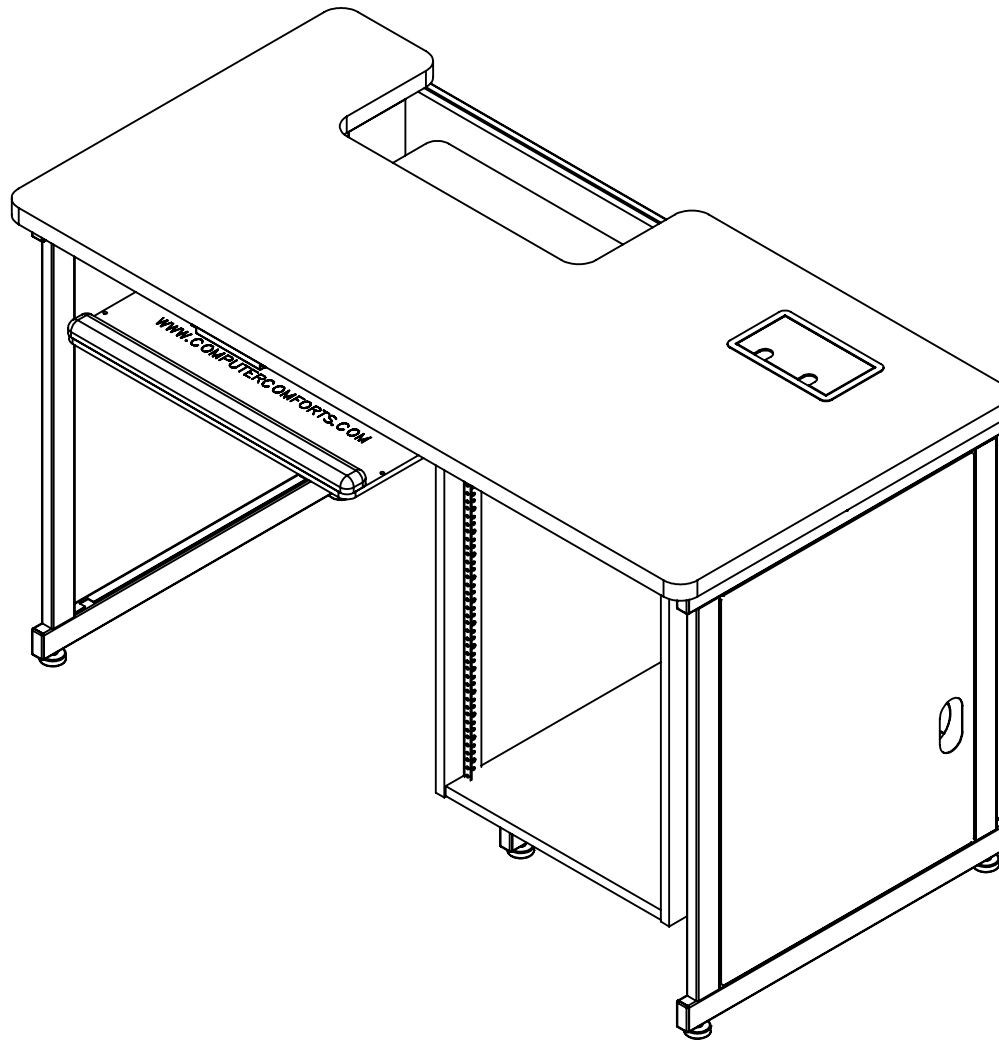
DATE **6-6-12**

DO NOT SCALE DRAWING

DIMENSIONS ARE IN INCHES
TOLERANCES:
FRACTIONAL $\pm 1/32$
ANGULAR: BEND $\pm 1^\circ$
ONE PLACE DECIMAL $\pm .02$
TWO PLACE DECIMAL $\pm .01$
THREE PLACE DECIMAL $\pm .005$

COMPUTER COMFORTS INC.
367 COLUMBIA
MEMORIAL PARKWAY
KEMAH, TX 77565
281-535-2288

PART DESCRIPTION		REV.
IT-603036 RMP		
SIZE	DWG. NO.	
A		
SCALE: 1:16	WEIGHT:	SHEET 1 OF 2



PROPRIETARY AND CONFIDENTIAL

THE INFORMATION CONTAINED IN THIS DRAWING IS THE SOLE PROPERTY OF COMPUTER COMFORTS INC. ANY REPRODUCTION IN PART OR AS A WHOLE WITHOUT THE WRITTEN PERMISSION OF COMPUTER COMFORTS INC. IS PROHIBITED.



COMPUTER COMFORTS INC.

367 COLUMBIA
MEMORIAL PARKWAY
KEMAH, TX 77565
281-535-2288

DRAWN BY	SAB
DATE	6-6-12
DO NOT SCALE DRAWING	

DIMENSIONS ARE IN INCHES
TOLERANCES:
FRACTIONAL $\pm 1/32$
ANGULAR: BEND $\pm 1^\circ$
ONE PLACE DECIMAL $\pm .02$
TWO PLACE DECIMAL $\pm .01$
THREE PLACE DECIMAL $\pm .005$

PART DESCRIPTION		
IT-603036 RMP		
SIZE	DWG. NO.	REV.
A		
SCALE: 1:16	WEIGHT:	SHEET 2 OF 2